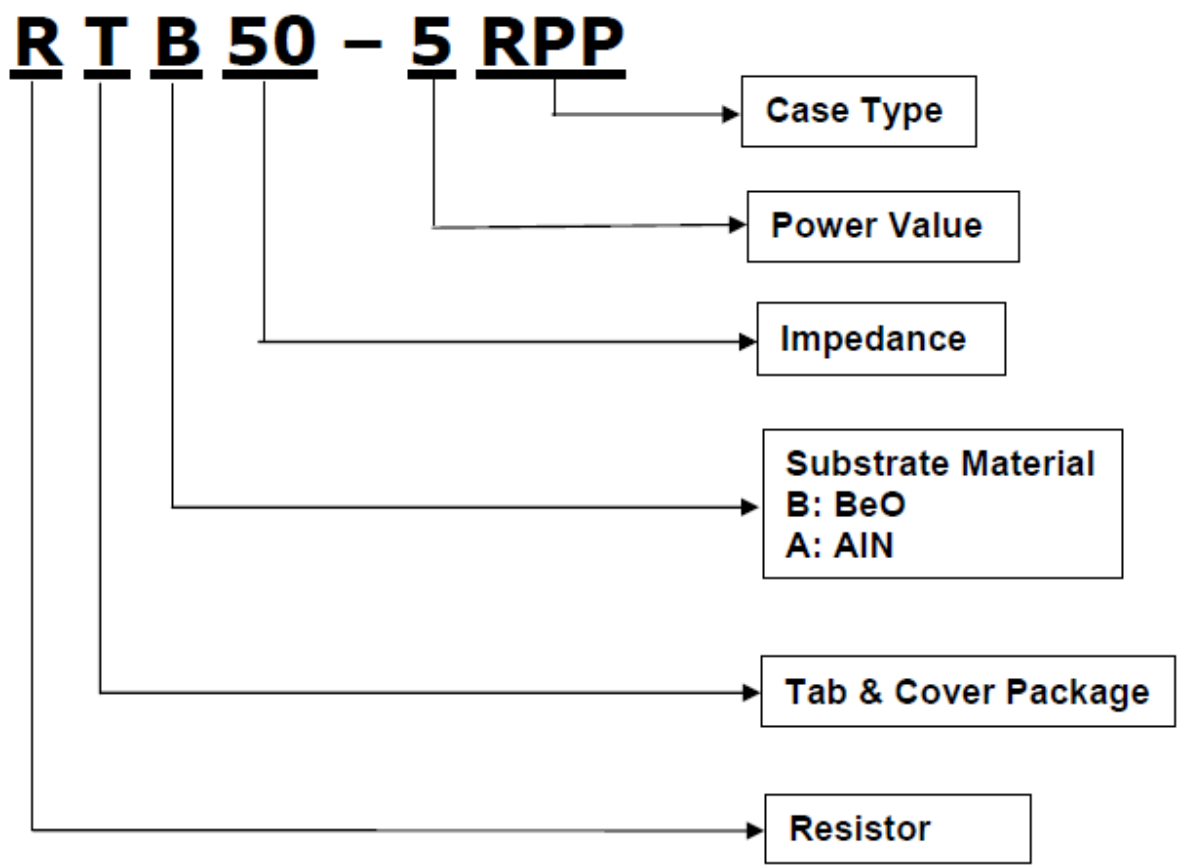


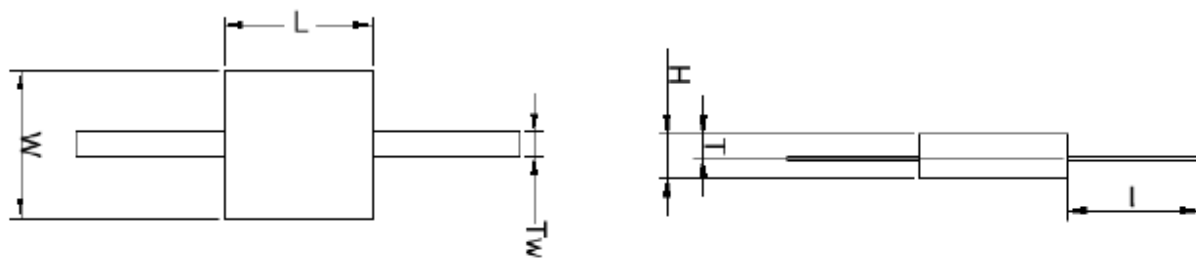
- ◆ Resistance*: 50,100Ω(4-100Ω available)
- ◆ Substrate Material: BeO, AlN
- ◆ Resistance Tolerance: ±2%
- ◆ Power: 5-500W
- ◆ Frequency Range*: DC-4GHz
- ◆ Operation Temperature: -55 ~ +150°C
- ◆ Temperature Coefficient: ±150ppm/°C
- ◆ RoHS Compliant
- ◆ *Customization is available

Resistor – Tab & Cover (RTB series)

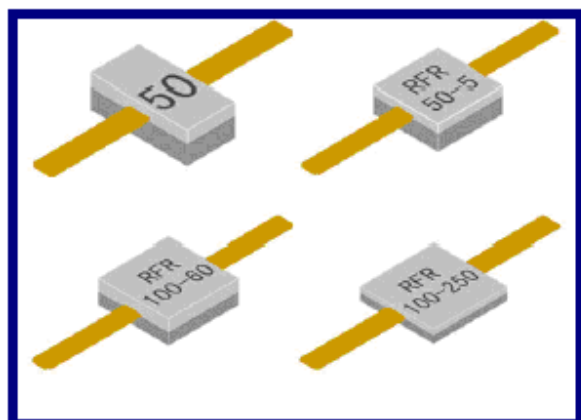
Explanation to P/N



Tab & Cover (RTB series)



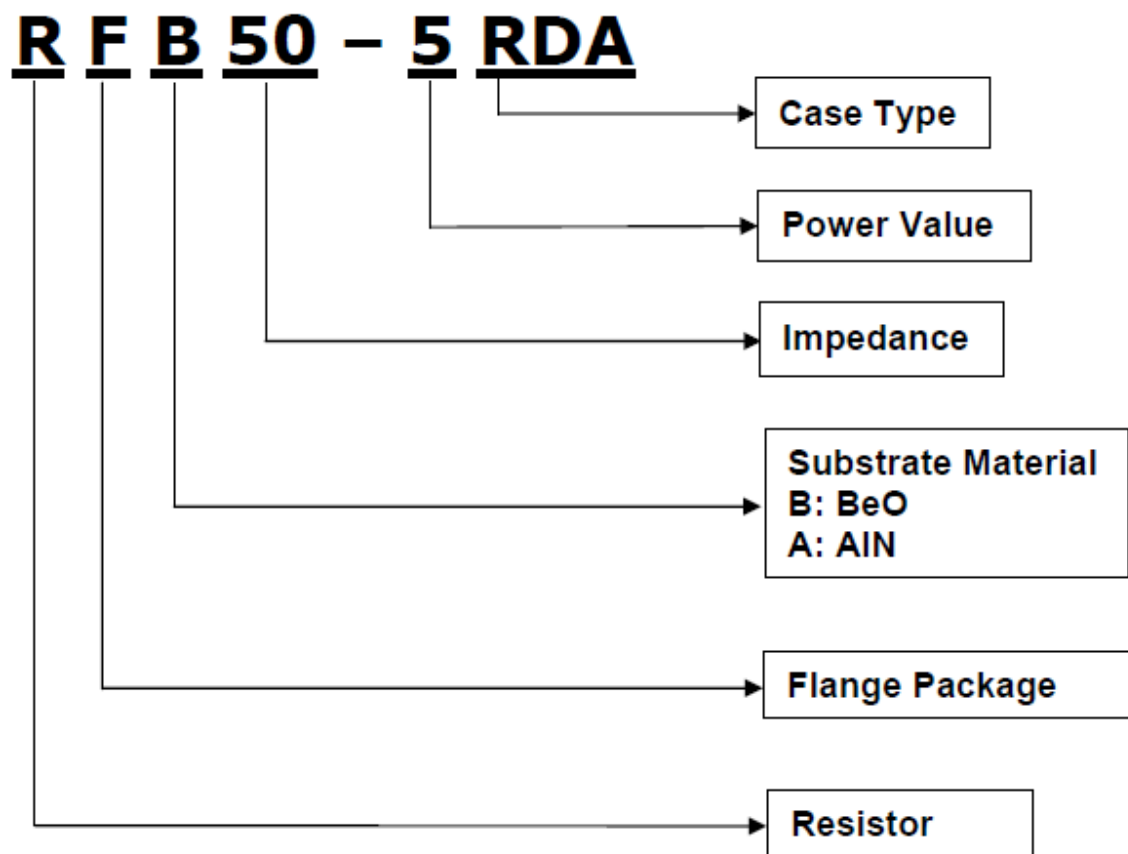
P/N	Power (W)	Frequency (GHz)	Size(mm)					
			W	L	T	H	l	Tw
RTB50-5RPP	5	DC-3	5	2.5	1	1.8	4	1
RTB50-5RP	5	DC-4	4	3	1	1.8	4	1
RTB50-5R	5	DC-4	4	4	1	1.8	4	1
RTB50-10RPP	10	DC-4	4	3	1	1.8	4	1
RTB50-10R	10	DC-3	4	4	1	1.8	4	1
RTB50-30R	30	DC-4	6	6	1	1.8	4	1
RTB50-40R	40	DC-3	6	4.7	1	2.2	4	1
RTB50-60RPP	60	DC-3	6	5	1	2.2	4	1
RTB50-60R	60	DC-3	6	6	1	1.8	4	1
RTB50-80R	80	DC-1.5	9	6	1	2.2	4	1
RTB50-100RPP	100	DC-1.5	9	6	1	2.2	4	1
RTB50-100RP	100	DC-1.5	10	8	1	2.2	4	1
RTB50-100R	100	DC-2	10	10	1	2.2	4	1
RTB50-150R	150	DC-2	10	10	1	2.2	4	1
RTB50-250R	250	DC-2	10	10	1	2.2	4	1
RTB50-500R	500	DC-0.8	30	20	1	2.7	4	1
RTB100-5RPP	5	DC-3	5	2.5	1	1.8	4	1
RTB100-5R	5	DC-4	4	3	1	1.8	4	1
RTB100-5RG	5	DC-4	4	4	1	1.6	4	1
RTB100-10RPP	10	DC-4	4	3	1	1.8	4	1
RTB100-10R	10	DC-4	4	4	1	1.6	4	1
RTB100-20R	20	DC-3	2.5	5	1	1.8	4	1
RTB100-20RG	20	DC-4	4	3	1	1.8	4	1
RTB100-20RA	20	DC-4	3	4	1	1.8	4	1
RTB100-20RB	20	DC-4	4	4	1	1.6	4	1
RTB100-30R	30	DC-4	6	6	1	1.8	6	1
RTB100-40R	40	DC-3	6	4.7	1	1.8	6	1
RTB100-60R	60	DC-3	6	6	1	1.8	6	1
RTB100-100RPP	100	DC-2	9	6	1	2.2	6	1.4
RTB100-100R	100	DC-2	10	8	1	2.2	6	1.4
RTB100-100RG	100	DC-2	10	10	1	2.2	6	1.4
RTB100-150R	150	DC-2	10	10	1	2.2	6	1.4
RTB100-250R	250	DC-2	10	10	1	2.2	6	1.4
RTB100-400R	400	DC-1	12.7	12.7	1	2.2	6.5	1.4



- ◆ Resistance*: 50,100Ω(4-100Ω available)
- ◆ Substrate Material: BeO, AlN
- ◆ Resistance Tolerance: ±2%
- ◆ Power: 5-500W
- ◆ Frequency Range*: DC-4GHz
- ◆ Operation Temperature: -55 ~ +150°C
- ◆ Temperature Coefficient: ±150ppm/°C
- ◆ RoHS Compliant
- ◆ *Customization is available

Resistor – Flange (RFB series)

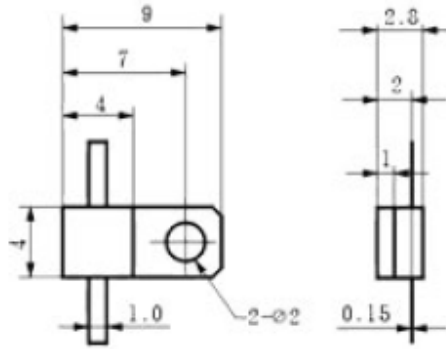
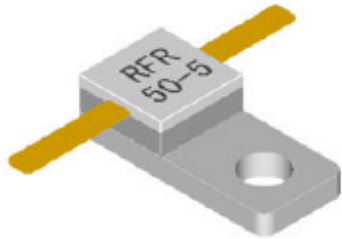
Explanation to P/N



Flange (RFB Series)

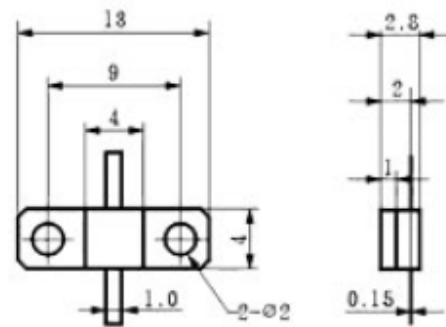
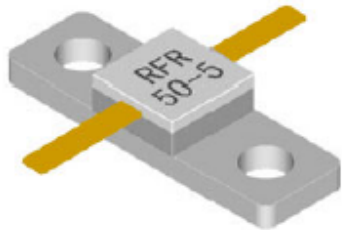
P/N	Power (W)	Frequency (GHz)	Substrate	Resistance (Ω)
RFB50-5RDA	5	DC-4	BeO	50 \pm 5%
RFB50-5RBD	5	DC-4	BeO	50 \pm 5%
RFB50-10RDA	10	DC-4	BeO	50 \pm 5%
RFB50-10RBD	10	DC-4	BeO	50 \pm 5%
RFB50-30RDJ	30	DC-4	BeO	50 \pm 5%
RFB50-30RBR	30	DC-4	BeO	50 \pm 5%
RFB50-60RDJ	60	DC-4	BeO	50 \pm 5%
RFB50-60RBR	60	DC-4	BeO	50 \pm 5%
RFB50-100RDM	100	DC-2	BeO	50 \pm 5%
RFB50-100RHE	100	DC-2	BeO	50 \pm 5%
RFB50-150RDM	150	DC-2	BeO	50 \pm 5%
RFB50-150RHE	150	DC-2	BeO	50 \pm 5%
RFB50-250RDM	250	DC-2	BeO	50 \pm 5%
RFB50-250RHE	250	DC-2	BeO	50 \pm 5%
RFB50-500REB	500	DC-0.8	BeO	50 \pm 5%
RFB100-5RDN	5	DC-2	BeO	100 \pm 5%
RFB100-10RDA	10	DC-4	BeO	100 \pm 5%
RFB100-10RBE	10	DC-4	BeO	100 \pm 5%
RFB100-30RDJ	30	DC-4	BeO	100 \pm 5%
RFB100-30RBR	30	DC-4	BeO	100 \pm 5%
RFB100-30RDQ	30	DC-3	BeO	100 \pm 5%
RFB100-60RDQ	60	DC-3	BeO	100 \pm 5%
RFB100-60RDJ	60	DC-4	BeO	100 \pm 5%
RFB100-60RBR	60	DC-4	BeO	100 \pm 5%
RFB100-80RBR	80	DC-1.5	BeO	100 \pm 5%
RFB100-80RHA	80	DC-1.5	BeO	100 \pm 5%
RFB100-100RDM	100	DC-2	BeO	100 \pm 5%
RFB100-100RBR	100	DC-1.5	BeO	100 \pm 5%
RFB100-100RBZ	100	DC-2	BeO	100 \pm 5%
RFB100-100RHA	100	DC-1.5	BeO	100 \pm 5%
RFB100-100RHE	100	DC-2	BeO	100 \pm 5%
RFB100-150RDM	150	DC-2	BeO	100 \pm 5%
RFB100-150RHE	150	DC-2	BeO	100 \pm 5%
RFB100-150RBAH	150	DC-2	BeO	100 \pm 5%
RFB100-250RBAH	250	DC-2	BeO	100 \pm 5%
RFB100-250RDM	250	DC-2	BeO	100 \pm 5%
RFB100-250RHE	250	DC-2	BeO	100 \pm 5%
RFB100-250RBAB	250	DC-2	BeO	100 \pm 5%
RFB100-250RBAD	250	DC-2	BeO	100 \pm 5%
RFB100-250REA	250	DC-1.5	BeO	100 \pm 5%
RFB100-300REA	300	DC-1.5	BeO	100 \pm 5%
RFB100-500REB	500	DC-0.8	BeO	100 \pm 5%
RFB100-800REB	800	DC-0.5	BeO	100 \pm 5%

Flange (RFB Series)



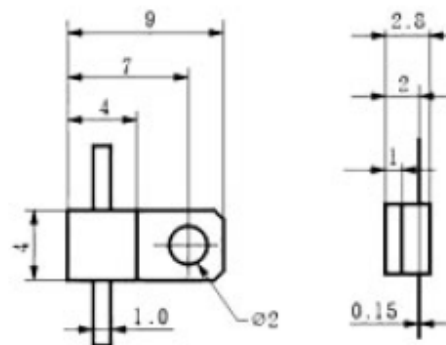
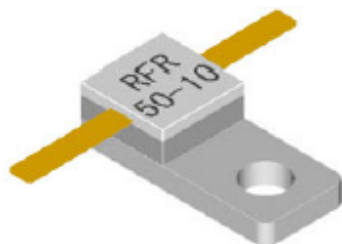
P/N	RFB50-5RDA
Power(W)	5
Substrate	BeO
Resistance(Ω)*	50 \pm 5%
Frequency(GHz)*	DC-4
Operation Temperature($^{\circ}$ C)	-55~+150
Lead Length(mm)*	4

* Customization is available.



P/N	RFB50-5RBD
Power(W)	5
Substrate	BeO
Resistance(Ω)*	50 \pm 5%
Frequency(GHz)*	DC-4
Operation Temperature($^{\circ}$ C)	-55~+150
Lead Length(mm)*	4

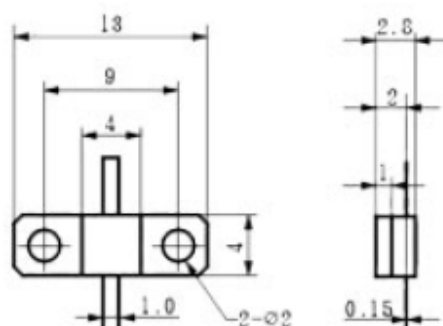
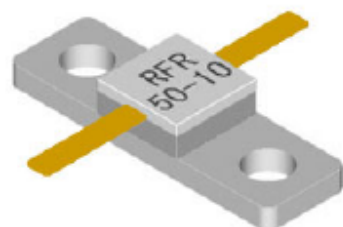
* Customization is available.



P/N	RFB50-10RDA
Power(W)	10
Substrate	BeO
Resistance(Ω)*	50 \pm 5%
Frequency(GHz)*	DC-4
Operation Temperature($^{\circ}$ C)	-55~+150
Lead Length(mm)*	4

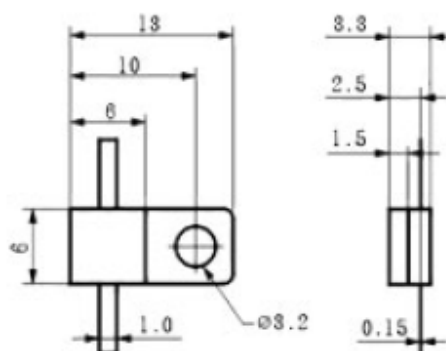
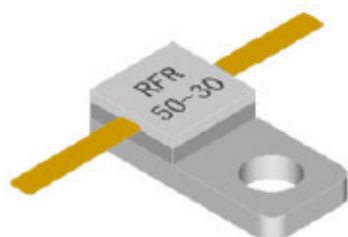
* Customization is available.

Flange (RFB Series)



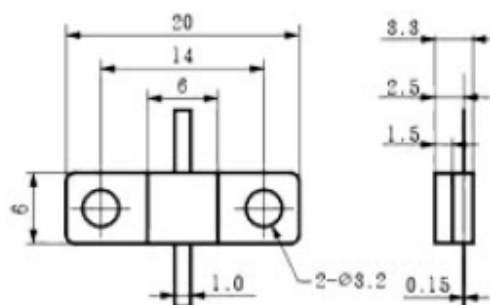
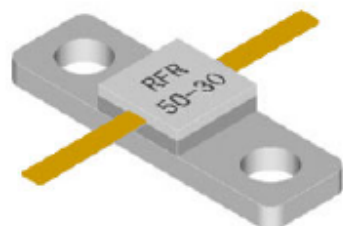
P/N	RFB50-10RBD
Power(W)	10
Substrate	BeO
Resistance(Ω)*	50 \pm 5%
Frequency(GHz)*	DC-4
Operation Temperature($^{\circ}$ C)	-55~+150
Lead Length(mm)*	4

* Customization is available.



P/N	RFB50-30RDJ
Power(W)	30
Substrate	BeO
Resistance(Ω)*	50 \pm 5%
Frequency(GHz)*	DC-4
Operation Temperature($^{\circ}$ C)	-55~+150
Lead Length(mm)*	6

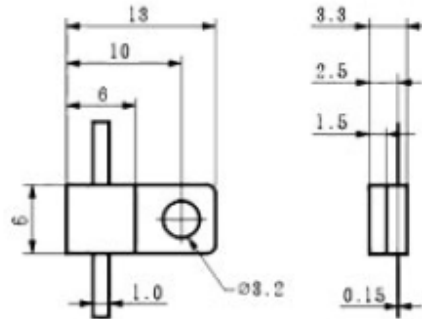
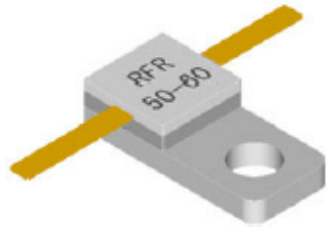
* Customization is available.



P/N	RFB50-30RBR
Power(W)	30
Substrate	BeO
Resistance(Ω)*	50 \pm 5%
Frequency(GHz)*	DC-4
Operation Temperature($^{\circ}$ C)	-55~+150
Lead Length(mm)*	6

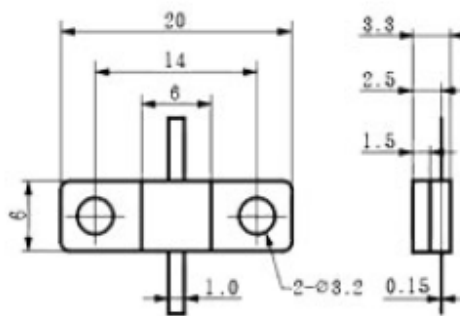
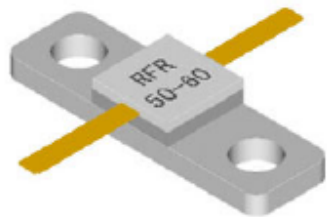
* Customization is available.

Flange (RFB Series)



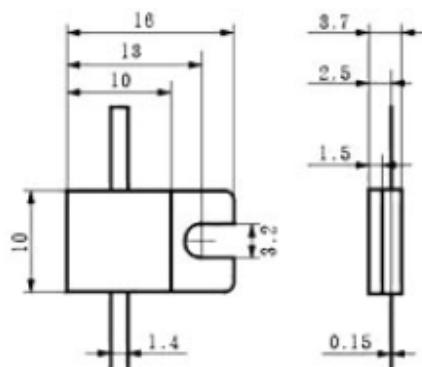
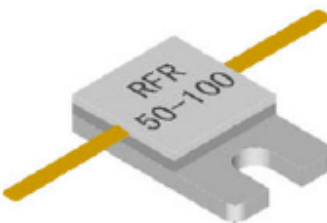
P/N	RFB50-60RDJ
Power(W)	60
Substrate	BeO
Resistance(Ω)*	50 \pm 5%
Frequency(GHz)*	DC-4
Operation Temperature($^{\circ}$ C)	-55~+150
Lead Length(mm)*	6

* Customization is available.



P/N	RFB50-60RBR
Power(W)	60
Substrate	BeO
Resistance(Ω)*	50 \pm 5%
Frequency(GHz)*	DC-4
Operation Temperature($^{\circ}$ C)	-55~+150
Lead Length(mm)*	6

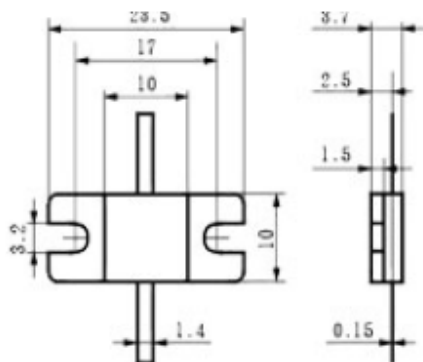
* Customization is available.



P/N	RFB50-100RDM
Power(W)	100
Substrate	BeO
Resistance(Ω)*	50 \pm 5%
Frequency(GHz)*	DC-2
Operation Temperature($^{\circ}$ C)	-55~+150
Lead Length(mm)*	6

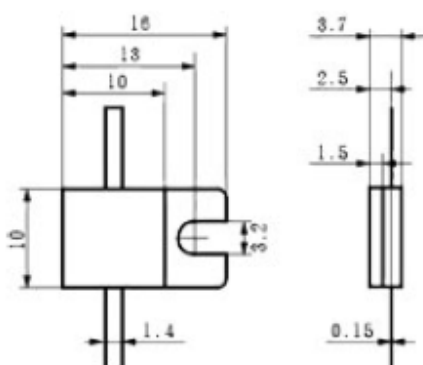
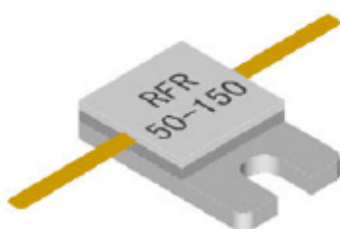
* Customization is available.

Flange (RFB Series)



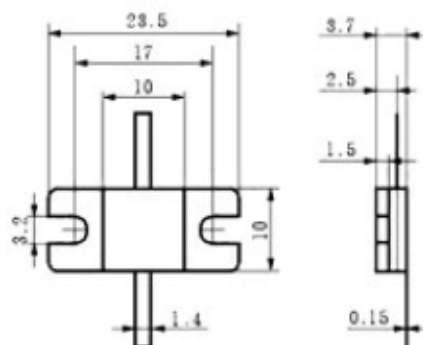
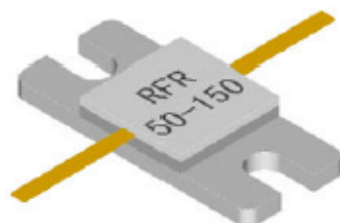
P/N	RFB50-100RHE
Power(W)	100
Substrate	BeO
Resistance(Ω)*	50 \pm 5%
Frequency(GHz)*	DC-2
Operation Temperature($^{\circ}$ C)	-55~+150
Lead Length(mm)*	6

* Customization is available.



P/N	RFB50-150RDM
Power(W)	150
Substrate	BeO
Resistance(Ω)*	50 \pm 5%
Frequency(GHz)*	DC-2
Operation Temperature($^{\circ}$ C)	-55~+150
Lead Length(mm)*	6

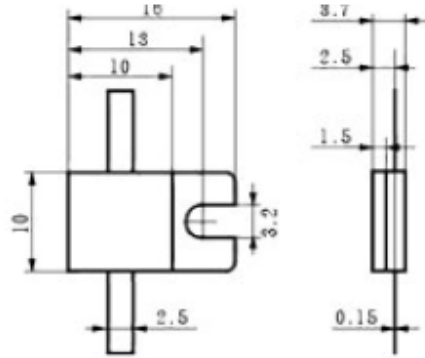
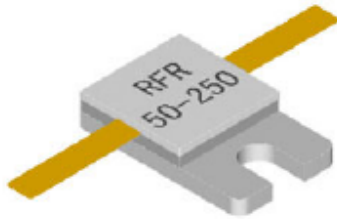
* Customization is available.



P/N	RFB50-150RHE
Power(W)	150
Substrate	BeO
Resistance(Ω)*	50 \pm 5%
Frequency(GHz)*	DC-2
Operation Temperature($^{\circ}$ C)	-55~+150
Lead Length(mm)*	6

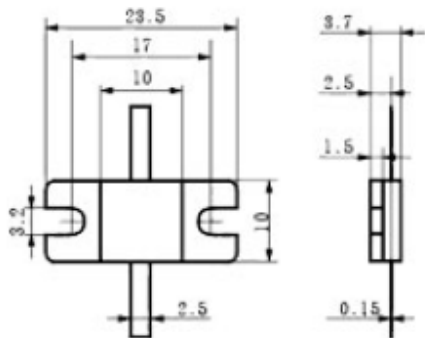
* Customization is available.

Flange (RFB Series)



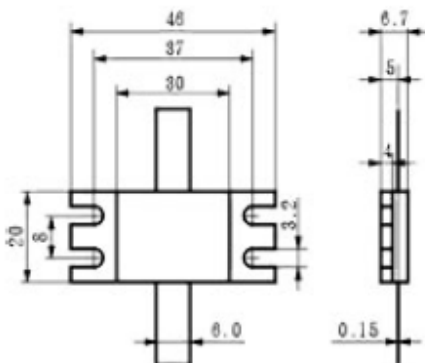
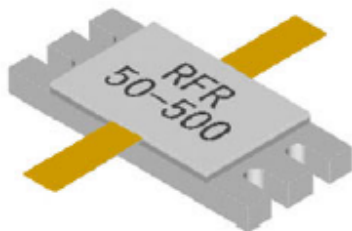
P/N	RFB50-250RDM
Power(W)	250
Substrate	BeO
Resistance(Ω)*	50 \pm 5%
Frequency(GHz)*	DC-2
Operation Temperature($^{\circ}$ C)	-55~+150
Lead Length(mm)*	6

* Customization is available.



P/N	RFB50-250RHE
Power(W)	250
Substrate	BeO
Resistance(Ω)*	50 \pm 5%
Frequency(GHz)*	DC-2
Operation Temperature($^{\circ}$ C)	-55~+150
Lead Length(mm)*	6

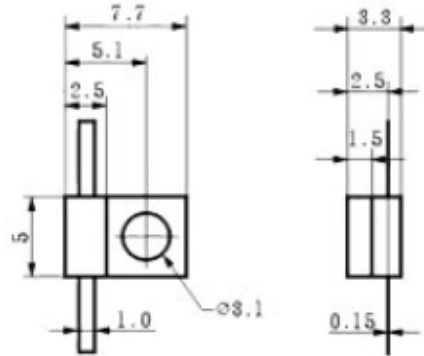
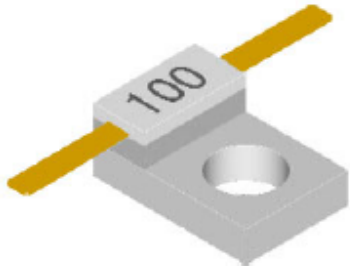
* Customization is available.



P/N	RFB50-500REB
Power(W)	500
Substrate	BeO
Resistance(Ω)*	50 \pm 5%
Frequency(GHz)*	DC-0.8
Operation Temperature($^{\circ}$ C)	-55~+150
Lead Length(mm)*	8

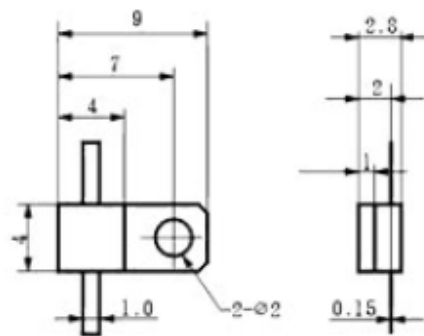
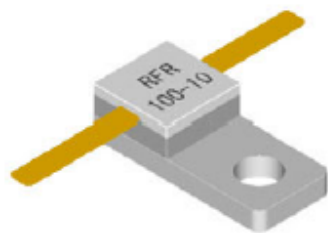
* Customization is available.

Flange (RFB Series)



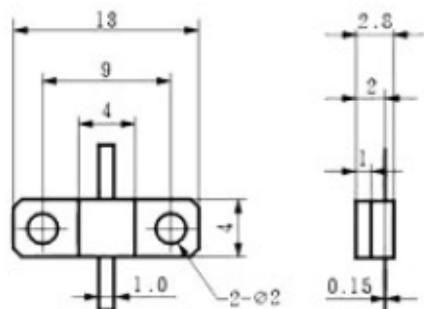
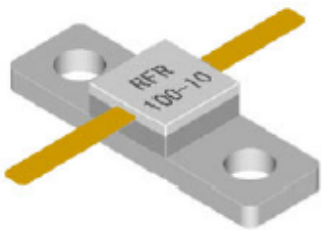
P/N	RFB100-5RDN
Power(W)	5
Substrate	BeO
Resistance(Ω)*	100 \pm 5%
Frequency(GHz)*	DC-2
Operation Temperature($^{\circ}$ C)	-55~+150
Lead Length(mm)*	4

* Customization is available.



P/N	RFB100-10RDA
Power(W)	10
Substrate	BeO
Resistance(Ω)*	100 \pm 5%
Frequency(GHz)*	DC-4
Operation Temperature($^{\circ}$ C)	-55~+150
Lead Length(mm)*	4

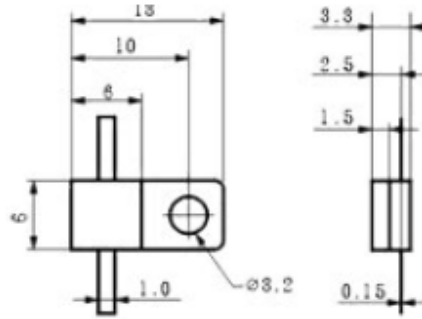
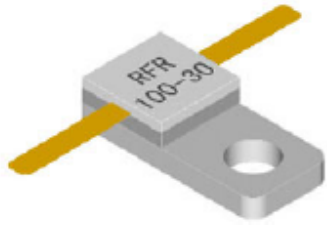
* Customization is available.



P/N	RFB100-10RBE
Power(W)	10
Substrate	BeO
Resistance(Ω)*	100 \pm 5%
Frequency(GHz)*	DC-4
Operation Temperature($^{\circ}$ C)	-55~+150
Lead Length(mm)*	4

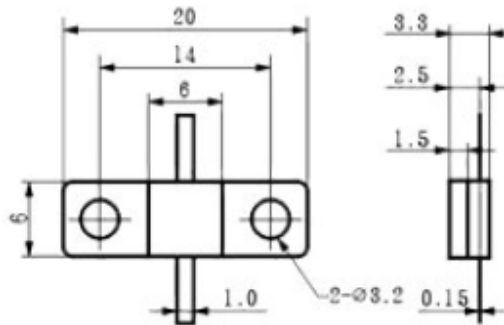
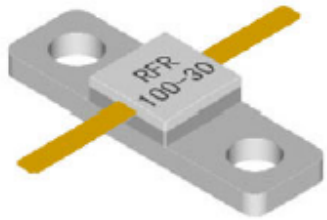
* Customization is available.

Flange (RFB Series)



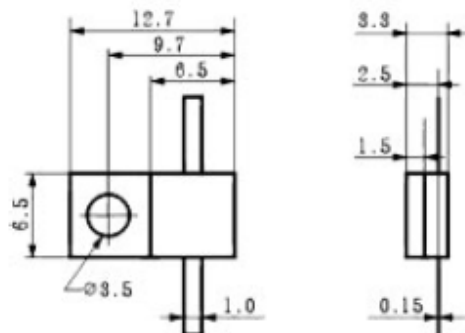
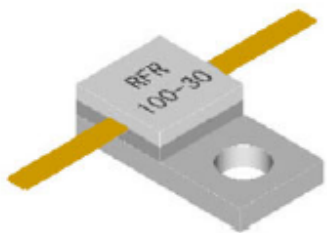
P/N	RFB100-30R DJ
Power(W)	30
Substrate	BeO
Resistance(Ω)*	100 \pm 5%
Frequency(GHz)*	DC-4
Operation Temperature($^{\circ}$ C)	-55~+150
Lead Length(mm)*	6

* Customization is available.



P/N	RFB100-30R BR
Power(W)	30
Substrate	BeO
Resistance(Ω)*	100 \pm 5%
Frequency(GHz)*	DC-4
Operation Temperature($^{\circ}$ C)	-55~+150
Lead Length(mm)*	6

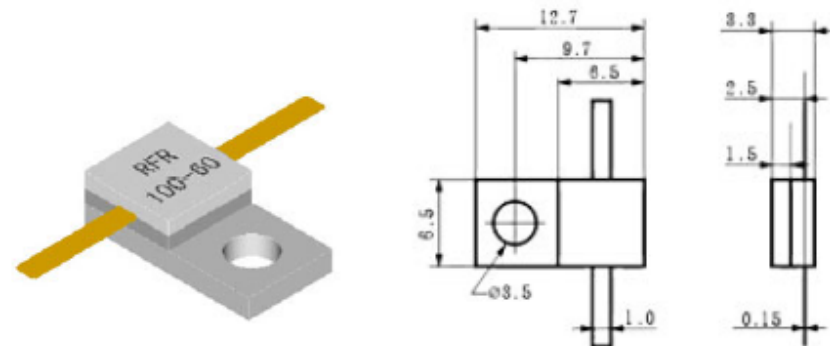
* Customization is available.



P/N	RFB100-30R DQ
Power(W)	30
Substrate	BeO
Resistance(Ω)*	100 \pm 5%
Frequency(GHz)*	DC-3
Operation Temperature($^{\circ}$ C)	-55~+150
Lead Length(mm)*	6

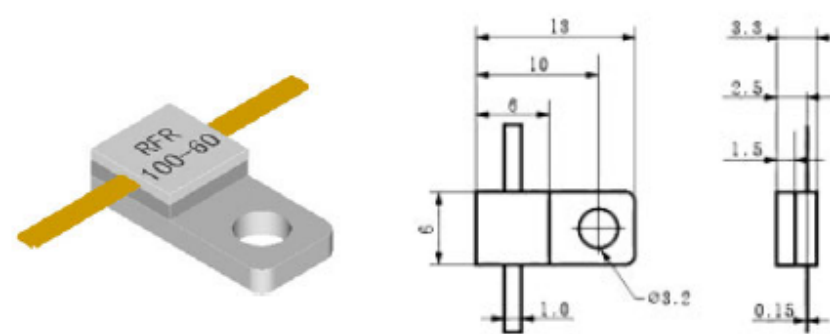
* Customization is available.

Flange (RFB Series)



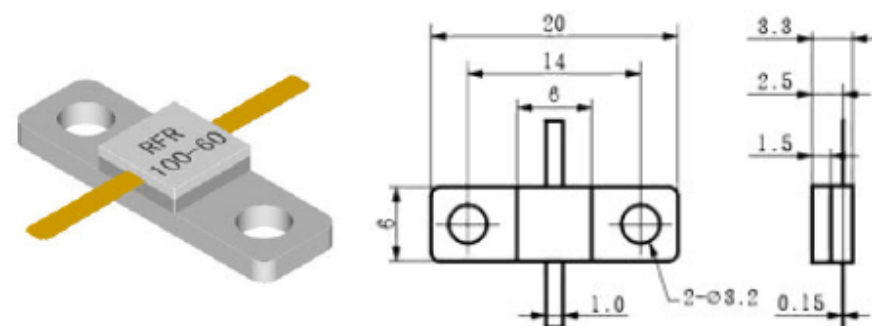
P/N	RFB100-60RDQ
Power(W)	60
Substrate	BeO
Resistance(Ω)*	100 \pm 5%
Frequency(GHz)*	DC-3
Operation Temperature($^{\circ}$ C)	-55~+150
Lead Length(mm)*	6

* Customization is available.



P/N	RFB100-60RDJ
Power(W)	60
Substrate	BeO
Resistance(Ω)*	100 \pm 5%
Frequency(GHz)*	DC-4
Operation Temperature($^{\circ}$ C)	-55~+150
Lead Length(mm)*	6

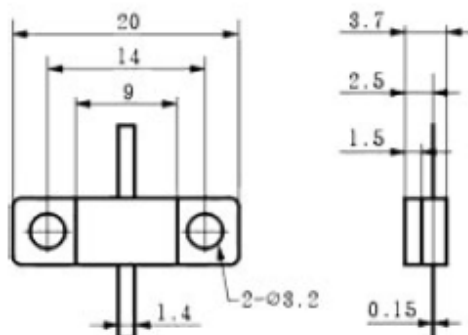
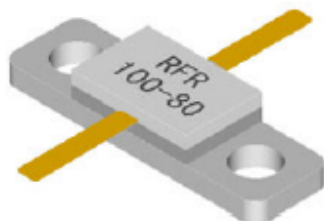
* Customization is available.



P/N	RFB100-60RBR
Power(W)	60
Substrate	BeO
Resistance(Ω)*	100 \pm 5%
Frequency(GHz)*	DC-4
Operation Temperature($^{\circ}$ C)	-55~+150
Lead Length(mm)*	6

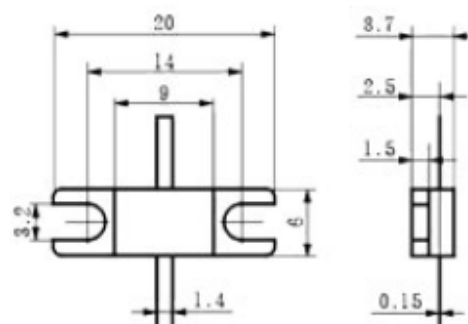
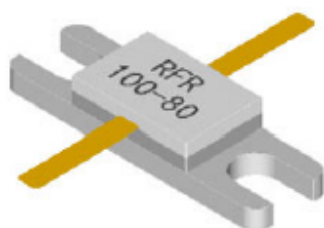
* Customization is available.

Flange (RFB Series)



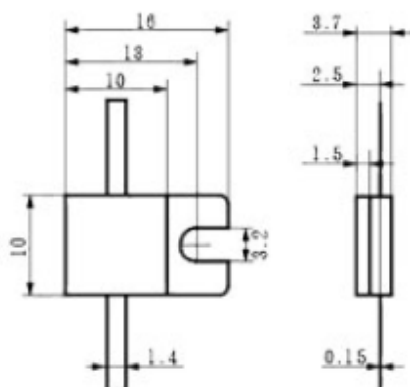
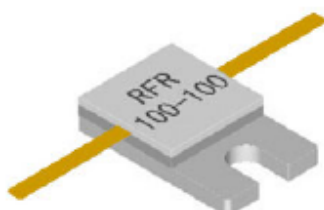
P/N	RFB100-80RBR
Power(W)	80
Substrate	BeO
Resistance(Ω)*	100 \pm 5%
Frequency(GHz)*	DC-1.5
Operation Temperature($^{\circ}$ C)	-55~+150
Lead Length(mm)*	6

* Customization is available.



P/N	RFB100-80RHA
Power(W)	80
Substrate	BeO
Resistance(Ω)*	100 \pm 5%
Frequency(GHz)*	DC-1.5
Operation Temperature($^{\circ}$ C)	-55~+150
Lead Length(mm)*	6

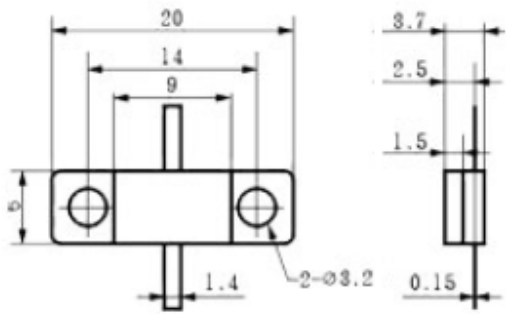
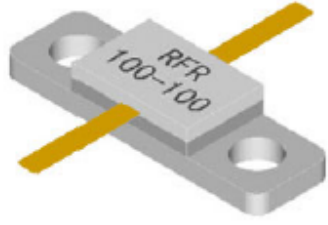
* Customization is available.



P/N	RFB100-100RDM
Power(W)	100
Substrate	BeO
Resistance(Ω)*	100 \pm 5%
Frequency(GHz)*	DC-2
Operation Temperature($^{\circ}$ C)	-55~+150
Lead Length(mm)*	6

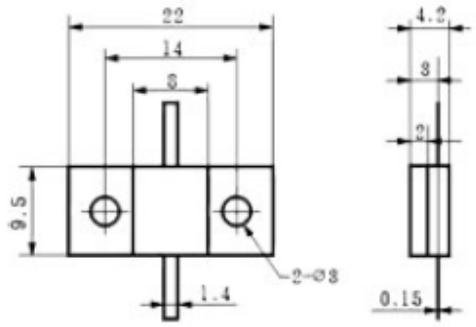
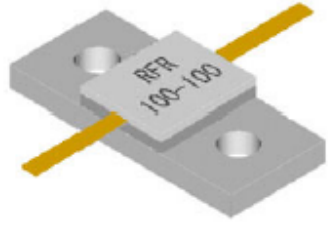
* Customization is available.

Flange (RFB Series)



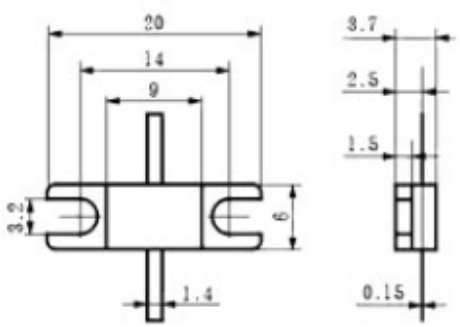
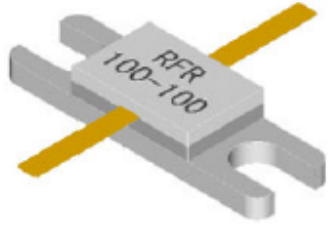
P/N	RFB100-100RBR
Power(W)	100
Substrate	BeO
Resistance(Ω)*	100 \pm 5%
Frequency(GHz)*	DC-1.5
Operation Temperature($^{\circ}$ C)	-55~+150
Lead Length(mm)*	6

* Customization is available.



P/N	RFB100-100RBZ
Power(W)	100
Substrate	BeO
Resistance(Ω)*	100 \pm 5%
Frequency(GHz)*	DC-2
Operation Temperature($^{\circ}$ C)	-55~+150
Lead Length(mm)*	6

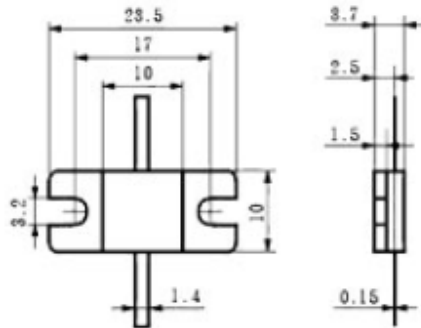
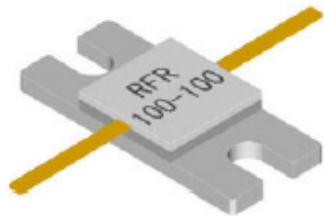
* Customization is available.



P/N	RFB100-100RHA
Power(W)	100
Substrate	BeO
Resistance(Ω)*	100 \pm 5%
Frequency(GHz)*	DC-1.5
Operation Temperature($^{\circ}$ C)	-55~+150
Lead Length(mm)*	6

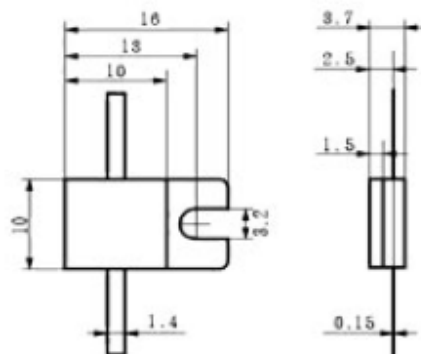
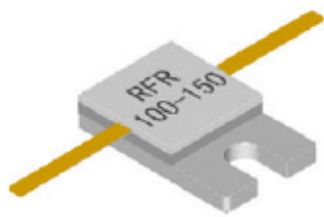
* Customization is available.

Flange (RFB Series)



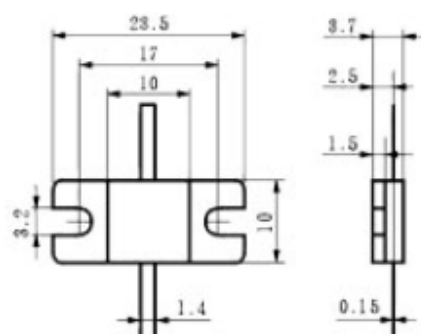
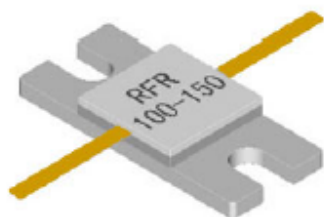
P/N	RFB100-100RHE
Power(W)	100
Substrate	BeO
Resistance(Ω)*	100 \pm 5%
Frequency(GHz)*	DC-2
Operation Temperature($^{\circ}$ C)	-55~+150
Lead Length(mm)*	6

* Customization is available.



P/N	RFB100-150RDM
Power(W)	150
Substrate	BeO
Resistance(Ω)*	100 \pm 5%
Frequency(GHz)*	DC-2
Operation Temperature($^{\circ}$ C)	-55~+150
Lead Length(mm)*	6

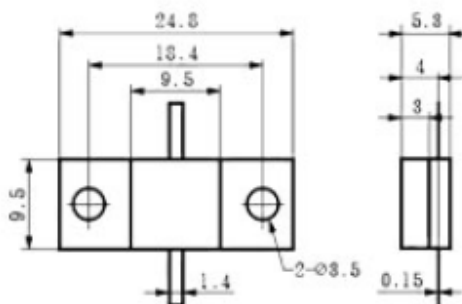
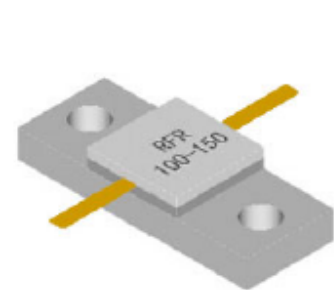
* Customization is available.



P/N	RFB100-150RHE
Power(W)	150
Substrate	BeO
Resistance(Ω)*	100 \pm 5%
Frequency(GHz)*	DC-2
Operation Temperature($^{\circ}$ C)	-55~+150
Lead Length(mm)*	6

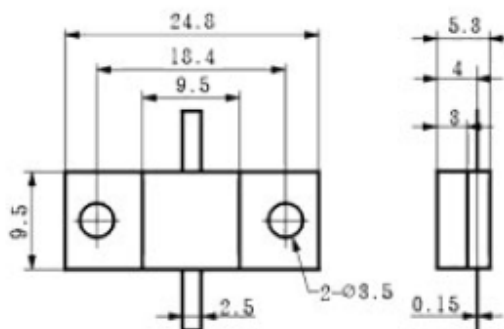
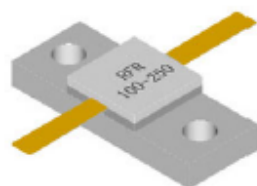
* Customization is available.

Flange (RFB Series)



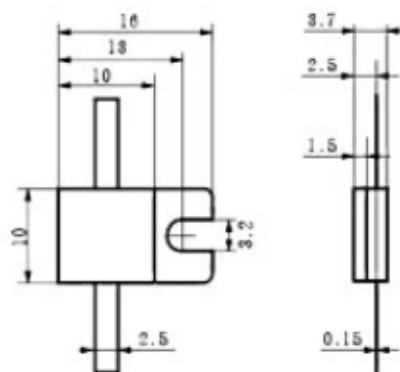
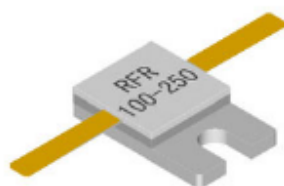
P/N	RFB100-150BAH
Power(W)	150
Substrate	BeO
Resistance(Ω)*	100 \pm 5%
Frequency(GHz)*	DC-2
Operation Temperature($^{\circ}$ C)	-55~+150
Lead Length(mm)*	6

* Customization is available.



P/N	RFB100-250BAH
Power(W)	250
Substrate	BeO
Resistance(Ω)*	100 \pm 5%
Frequency(GHz)*	DC-2
Operation Temperature($^{\circ}$ C)	-55~+150
Lead Length(mm)*	6

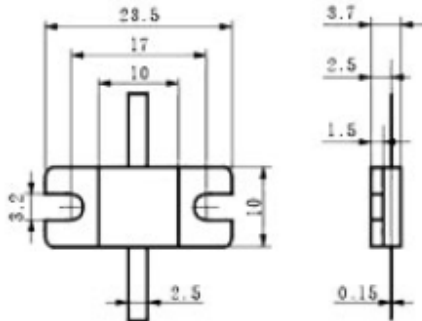
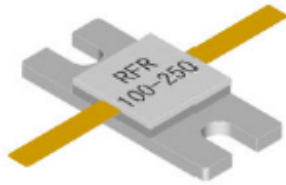
* Customization is available.



P/N	RFB100-250RDM
Power(W)	250
Substrate	BeO
Resistance(Ω)*	100 \pm 5%
Frequency(GHz)*	DC-2
Operation Temperature($^{\circ}$ C)	-55~+150
Lead Length(mm)*	6

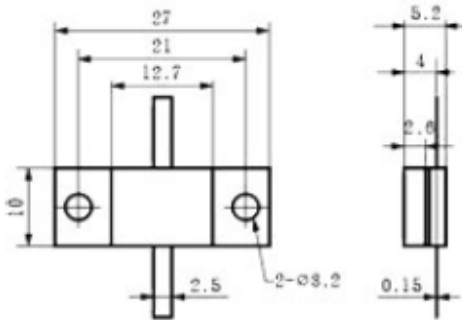
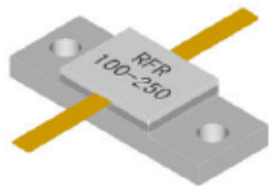
* Customization is available.

Flange (RFB Series)



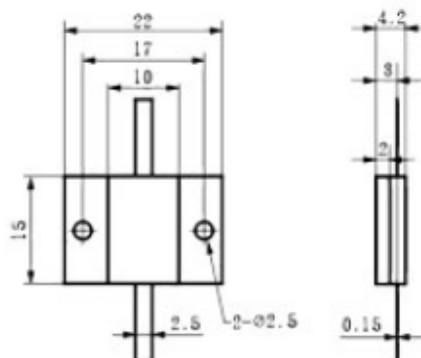
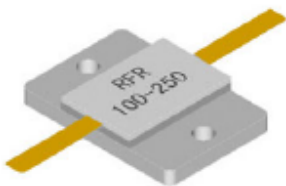
P/N	RFB100-250RHE
Power(W)	250
Substrate	BeO
Resistance(Ω)*	100 \pm 5%
Frequency(GHz)*	DC-2
Operation Temperature($^{\circ}$ C)	-55~+150
Lead Length(mm)*	6

* Customization is available.



P/N	RFB100-250RBAB
Power(W)	250
Substrate	BeO
Resistance(Ω)*	100 \pm 5%
Frequency(GHz)*	DC-2
Operation Temperature($^{\circ}$ C)	-55~+150
Lead Length(mm)*	6

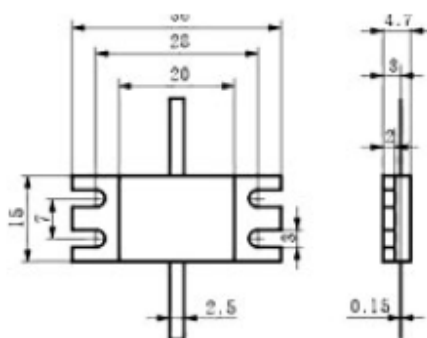
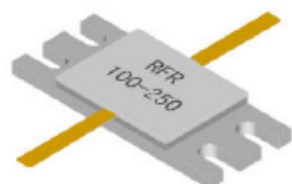
* Customization is available.



P/N	RFB100-250RBAD
Power(W)	250
Substrate	BeO
Resistance(Ω)*	100 \pm 5%
Frequency(GHz)*	DC-2
Operation Temperature($^{\circ}$ C)	-55~+150
Lead Length(mm)*	6

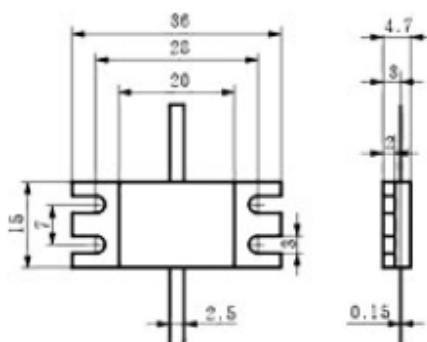
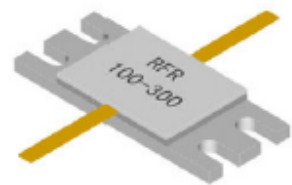
* Customization is available.

Flange (RFB Series)



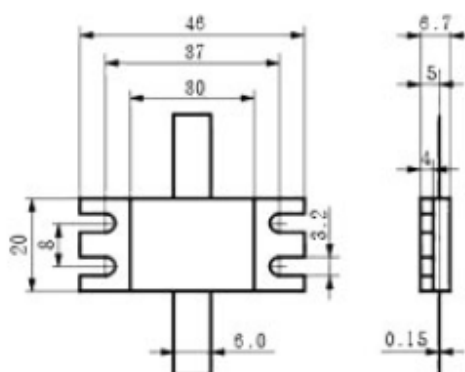
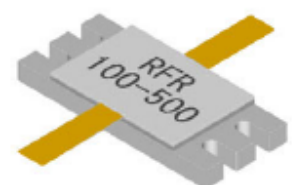
P/N	RFB100-250REA
Power(W)	250
Substrate	BeO
Resistance(Ω)*	100 \pm 5%
Frequency(GHz)*	DC-1.5
Operation Temperature($^{\circ}$ C)	-55~+150
Lead Length(mm)*	8

* Customization is available.



P/N	RFB100-300REA
Power(W)	300
Substrate	BeO
Resistance(Ω)*	100 \pm 5%
Frequency(GHz)*	DC-1.5
Operation Temperature($^{\circ}$ C)	-55~+150
Lead Length(mm)*	8

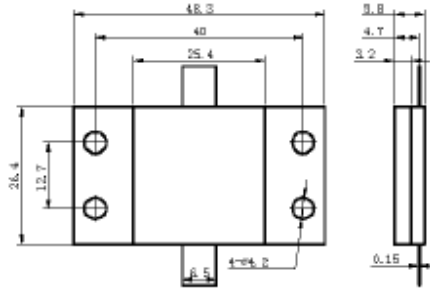
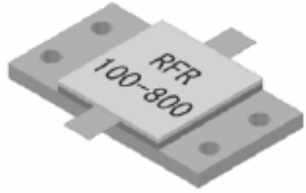
* Customization is available.



P/N	RFB100-500REB
Power(W)	500
Substrate	BeO
Resistance(Ω)*	100 \pm 5%
Frequency(GHz)*	DC-0.8
Operation Temperature($^{\circ}$ C)	-55~+150
Lead Length(mm)*	8

* Customization is available.

Flange (RFB Series)



P/N	RFB100-800REB
Power(W)	800
Substrate	BeO
Resistance(Ω)*	100 \pm 5%
Frequency(GHz)*	DC-0.5
Operation Temperature($^{\circ}$ C)	-55~+150
Lead Length(mm)*	8

* Customization is available.