

High Performance Coaxial Cable

Cables are designed to minimize both reflective and transmission losses during maximizing phase and amplitude stability. Many types of cable we can design to meet your unique requirements. A description of the typical cable construction is as following.

The center conductor :

Center conductors consist of solid or stranded SPC(Silver Plated copper Wire) or SPCW(Silver Plated copper clad steel wire) conductor because of excellent high frequency conductivity in comparison to equal size center conductors, the solid center conductor has less RF resistance, lower attenuation, and is more amplitude stable with flexure. The stranded center conductor is much more flexible and more phase stable with flexure.

The Dielectric

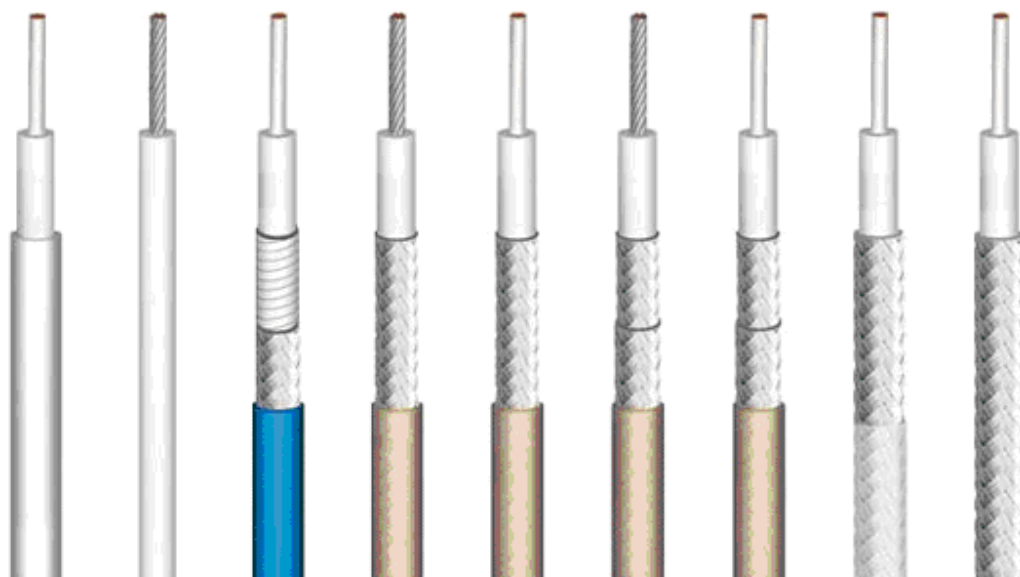
The conductor of cable is insulated with extruded PTFE(Polytetrafluoroethylene) to provide and high dielectric properties in the temperature range of -55 oC ~ 200 oC. Most transmission losses are caused either directly or indirectly by the dielectric.

The Inner shield or Outer shield

Outer conductors consist of one or more layers of woven metal braid. The SPC (Silver Plated copper wire) conductor, tightly braided over the inner shield. The quality of outer conductor affects the characteristic of the coaxial cable in the same way that applies to the center conductor.

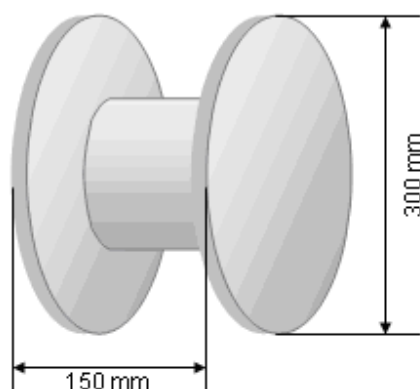
The Jacket

Fluorinated Ethylene Propylene(FEP) is excellent because of its high mechanical strength, low moisture absorbency, high temperature resistance and low migration. Around the outer conductor is an insulated jacket consisting of extruded FEP. Outer jacket colors are available to meet any color.



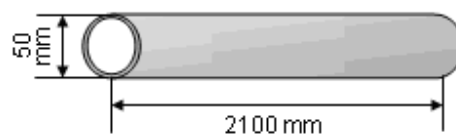
▣ Packing Standard

Flexible and Semi-Flexible



Semi-Rigid

1) for 2 meter

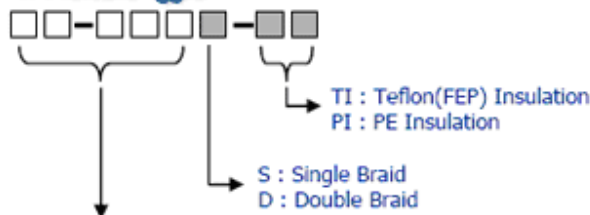


2) for 5 feet



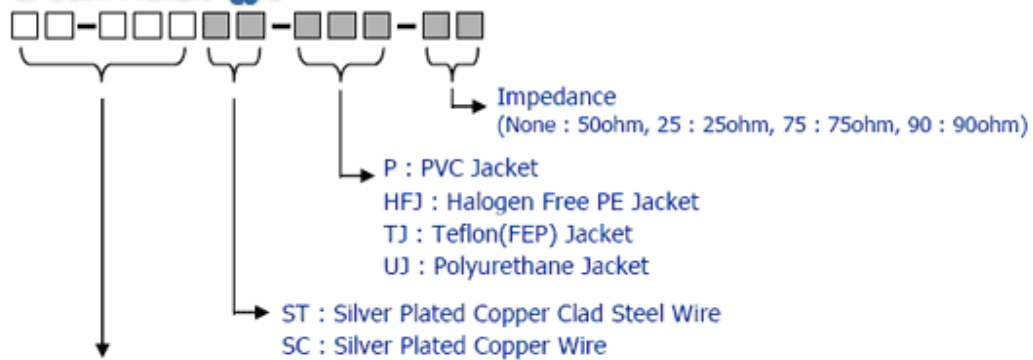
Ordering Information

1. Flexible Type



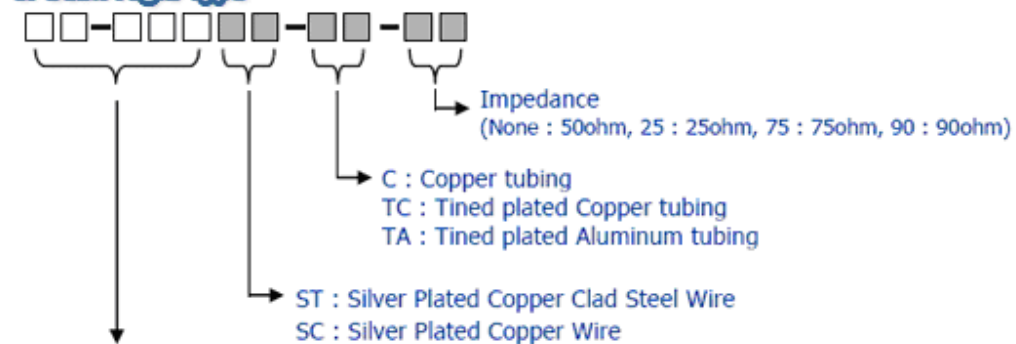
Series & Serial No.

2. Seim-Flexible Type



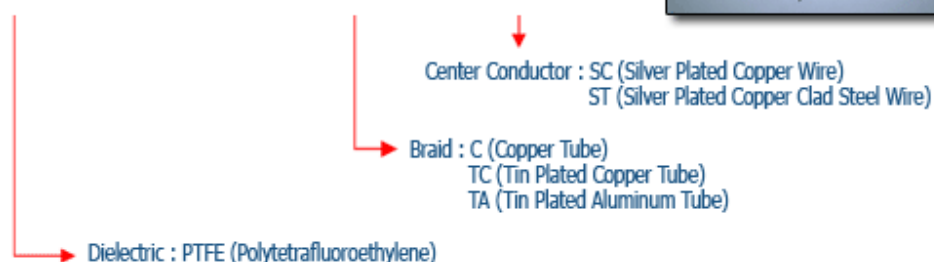
Series & Size of Diameter

3. Seim-Rigid Type



Series & Size of Diameter

Semi Rigid Coaxial Cables





SR-034ST-TC	PDF
SR-047ST-C	PDF
SR-047ST-TC	PDF
SR-060ST-TC	PDF
SR-086ST-C	PDF
SR-086ST-TC	PDF
SR-086ST-TA	PDF
SR-141ST-C	PDF
SR-141ST-TC	PDF
SR-141ST-TA	PDF
SR-250SC-C	PDF
SR-250SC-TC	PDF
SR-250SC-TA	PDF