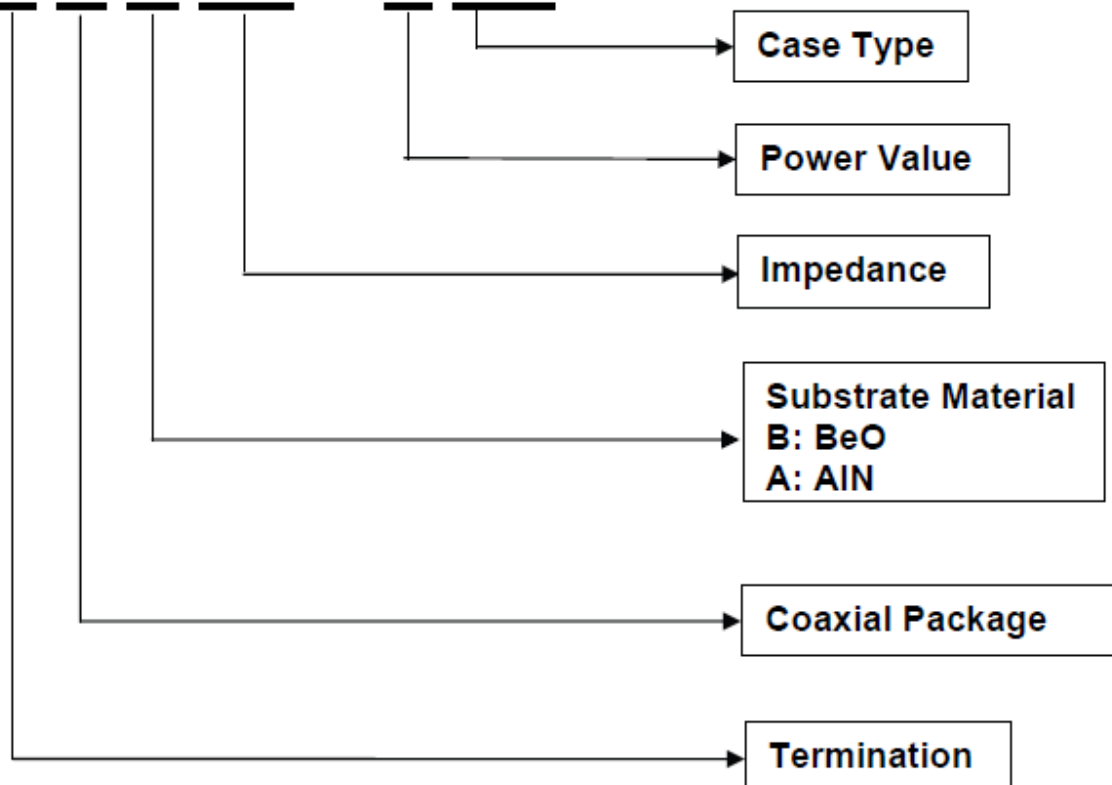


- ◆ Resistance*: 50Ω
- ◆ Power: 0.5-500W
- ◆ Frequency Range*: DC-6GHz
- ◆ Operation Temperature: -55 ~ +85°C
- ◆ RoHS Compliant
- ◆ *Customization is available

Termination – Coaxial (TCB series)

Explanation to P/N

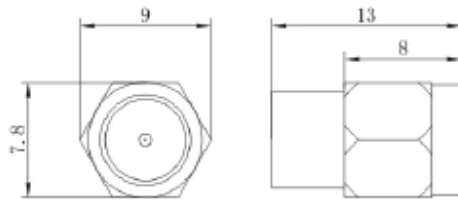
T C B 50 - 2 RB



Termination – Coaxial (TCB series)

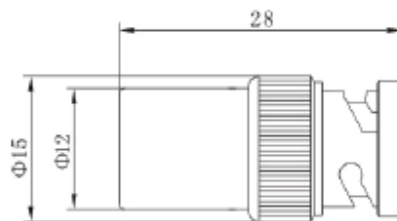
P/N	Power (W)	Frequency (GHz)	Resistance (Ω)	VSWR max	Connector
TCB50-0.5RS	0.5	DC-6	50	1.25:1	SMA-M
TCB50-2RB	2	DC-6	50	1.25:1	BNC-M
TCB50-2RS	2	DC-6	50	1.25:1	SMA-M
TCB50-2RN	2	DC-6	50	1.25:1	N-M
TCB50-2RT	2	DC-6	50	1.25:1	TNC-M
TCB50-5RS	5	DC-6	50	1.25:1	SMA-M
TCB50-5RT	5	DC-6	50	1.25:1	TNC-M
TCB50-5RTB	5	DC-6	50	1.25:1	TNC-M
TCB50-5RN	5	DC-6	50	1.25:1	N-M
TCB50-5RNB	5	DC-6	50	1.25:1	N-M
TCB50-5RF	5	DC-6	50	1.25:1	Flange
TCB50-10RN	10	DC-6	50	1.25:1	N-M
TCB50-10SN	10	DC-6	50	1.25:1	N-M
TCB50-10SNB	10	DC-6	50	1.25:1	N-M
TCB50-20RN	20	DC-6	50	1.25:1	N-M
TCB50-20SN	20	DC-6	50	1.25:1	N-M
TCB50-30RN	30	DC-6	50	1.25:1	N-M
TCB50-30SN	30	DC-6	50	1.25:1	N-M
TCB50-50RN	50	DC-6	50	1.35:1	N-M
TCB50-50SN	50	DC-6	50	1.35:1	N-M
TCB50-80RN	80	DC-6	50	1.35:1	N-M
TCB50-80SN	80	DC-6	50	1.35:1	N-M
TCB50-100RN	100	DC-6	50	1.35:1	N-M
TCB50-100SN	100	DC-6	50	1.35:1	N-M
TCB50-150SN	150	DC-4	50	1.35:1	N-M
TCB50-200SN	200	DC-3	50	1.20:1	N-M
TCB50-300SN	300	DC-3	50	1.20:1	N-M
TCB50-300SNB	300	DC-3	50	1.20:1	N-M
TCB50-500SN	500	DC-3	50	1.25:1	N-M

Termination – Coaxial (TCB series)



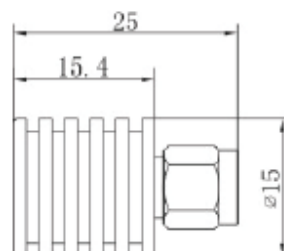
P/N		TCB50-0.5RS
Power(W)		0.5
Resistance(Ω)*		50
Frequency(GHz)*		DC-6
VSWR	DC-3GHz	1.20:1 max
	DC-6GHz	1.25:1 max
Connector*		SMA-M
Operation Temperature($^{\circ}$ C)		-55~+85
Size(mm)*		Φ 9×13
Weight(KG)		0.0035

* Customization is available.



P/N		TCB50-2RB
Power(W)		2
Resistance(Ω)*		50
Frequency(GHz)*		DC-6
VSWR	DC-3GHz	1.20:1 max
	DC-6GHz	1.25:1 max
Connector*		BNC-M
Operation Temperature($^{\circ}$ C)		-55~+85
Size(mm)*		Φ 15×28
Weight(KG)		0.015

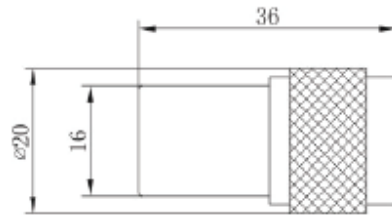
* Customization is available.



P/N		TCB50-2RS
Power(W)		2
Resistance(Ω)*		50
Frequency(GHz)*		DC-6
VSWR	DC-3GHz	1.15:1 max
	DC-6GHz	1.25:1 max
Connector*		SMA-M
Operation Temperature($^{\circ}$ C)		-55~+85
Size(mm)*		Φ 15×25
Weight(KG)		0.017

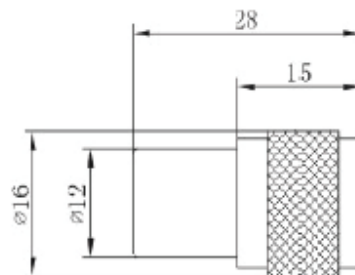
* Customization is available.

Termination – Coaxial (TCB series)



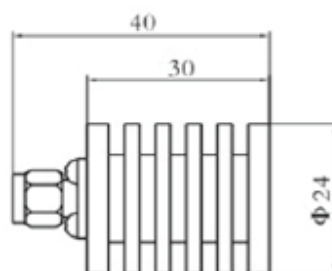
P/N		TCB50-2RN
Power(W)		2
Resistance(Ω)*		50
Frequency(GHz)*		DC-6
VSWR	DC-3GHz	1.15:1 max
	DC-6GHz	1.25:1 max
Connector*		N-M
Operation Temperature($^{\circ}$ C)		-55~+85
Size(mm)*		Φ 20x36
Weight(KG)		0.04

* Customization is available.



P/N		TCB50-2RT
Power(W)		2
Resistance(Ω)*		50
Frequency(GHz)*		DC-6
VSWR	DC-3GHz	1.20:1 max
	DC-6GHz	1.25:1 max
Connector*		TNC-M
Operation Temperature($^{\circ}$ C)		-55~+85
Size(mm)*		Φ 16x28
Weight(KG)		0.02

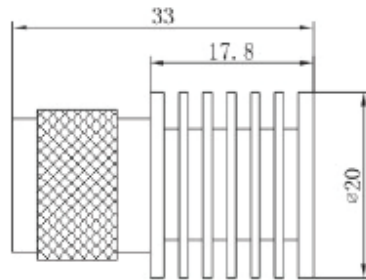
* Customization is available.



P/N		TCB50-5RS
Power(W)		5
Resistance(Ω)*		50
Frequency(GHz)*		DC-6
VSWR	DC-3GHz	1.15:1 max
	DC-6GHz	1.25:1 max
Connector*		SMA-M
Operation Temperature($^{\circ}$ C)		-55~+85
Size(mm)*		Φ 24x40
Weight(KG)		0.031

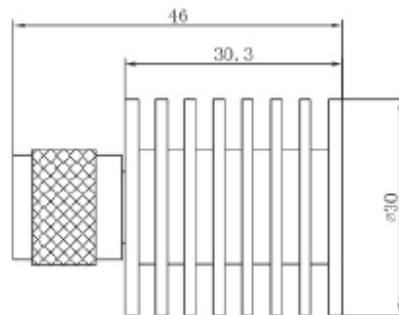
* Customization is available.

Termination – Coaxial (TCB series)



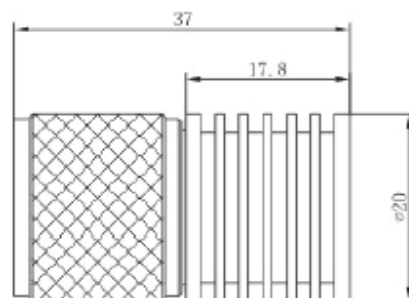
P/N		TCB50-5RT
Power(W)		5
Resistance(Ω)*		50
Frequency(GHz)*		DC-6
VSWR	DC-3GHz	1.15:1 max
	DC-6GHz	1.25:1 max
Connector*		TNC-M
Operation Temperature($^{\circ}$ C)		-55~+85
Size(mm)*		Φ 20×33
Weight(KG)		0.04

* Customization is available.



P/N		TCB50-5RTB
Power(W)		5
Resistance(Ω)*		50
Frequency(GHz)*		DC-6
VSWR	DC-3GHz	1.15:1 max
	DC-6GHz	1.25:1 max
Connector*		TNC-M
Operation Temperature($^{\circ}$ C)		-55~+85
Size(mm)*		Φ 30×46
Weight(KG)		0.035

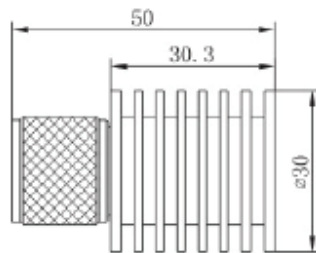
* Customization is available.



P/N		TCB50-5RN
Power(W)		5
Resistance(Ω)*		50
Frequency(GHz)*		DC-6
VSWR	DC-3GHz	1.15:1 max
	DC-6GHz	1.25:1 max
Connector*		N-M
Operation Temperature($^{\circ}$ C)		-55~+85
Size(mm)*		Φ 20×37
Weight(KG)		0.05

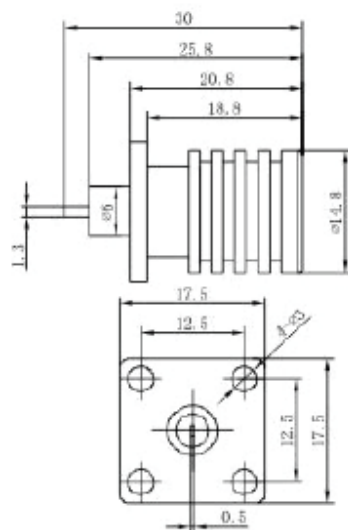
* Customization is available.

Termination – Coaxial (TCB series)



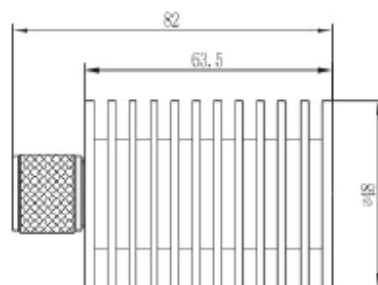
P/N		TCB50-5RNB
Power(W)		5
Resistance(Ω)*		50
Frequency(GHz)*		DC-6
VSWR	DC-3GHz	1.15:1 max
	DC-6GHz	1.25:1 max
Connector*		N-M
Operation Temperature($^{\circ}$ C)		-55~+85
Size(mm)*		Φ 30×50
Weight(KG)		0.06

* Customization is available.



P/N		TCB50-5RF
Power(W)		5
Resistance(Ω)*		50
Frequency(GHz)*		DC-6
VSWR	DC-3GHz	1.15:1 max
	DC-6GHz	1.25:1 max
Connector*		Flange
Operation Temperature($^{\circ}$ C)		-55~+85
Size(mm)*		Φ 14.8×30
Weight(KG)		0.0185

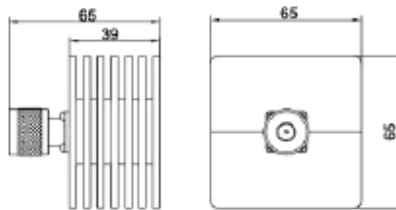
* Customization is available.



P/N		TCB50-10RN
Power(W)		10
Resistance(Ω)*		50
Frequency(GHz)*		DC-6
VSWR	DC-3GHz	1.15:1 max
	DC-6GHz	1.25:1 max
Connector*		N-M
Operation Temperature($^{\circ}$ C)		-55~+85
Size(mm)*		Φ 48×82
Weight(KG)		0.29

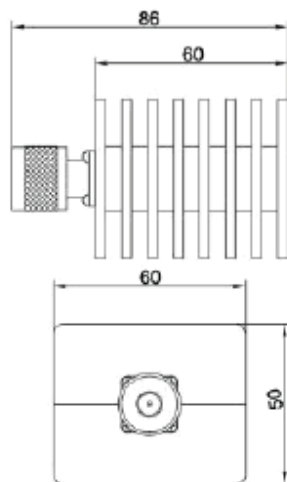
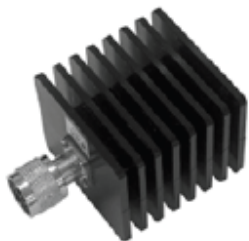
* Customization is available.

Termination – Coaxial (TCB series)



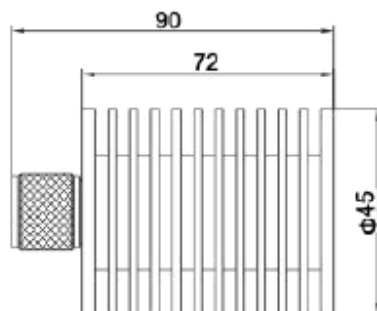
P/N		TCB50-10SN
Power(W)		10
Resistance(Ω)*		50
Frequency(GHz)*		DC-6
VSWR	DC-3GHz	1.15:1 max
	DC-6GHz	1.25:1 max
Connector*		N-M
Operation Temperature($^{\circ}$ C)		-55~+85
Size(mm)*		39×65×65
Weight(KG)		0.304

* Customization is available.



P/N		TCB50-10SNB
Power(W)		10
Resistance(Ω)*		50
Frequency(GHz)*		DC-6
VSWR	DC-3GHz	1.15:1 max
	DC-6GHz	1.25:1 max
Connector*		N-M
Operation Temperature($^{\circ}$ C)		-55~+85
Size(mm)*		60×60×50
Weight(KG)		0.286

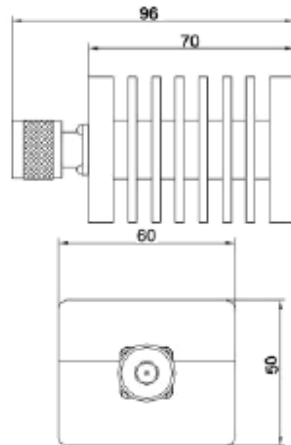
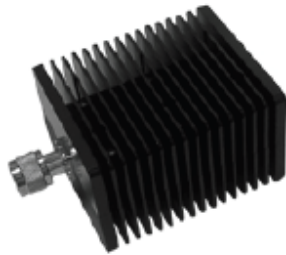
* Customization is available.



P/N		TCB50-20RN
Power(W)		20
Resistance(Ω)*		50
Frequency(GHz)*		DC-6
VSWR	DC-3GHz	1.15:1 max
	DC-6GHz	1.25:1 max
Connector*		N-M
Operation Temperature($^{\circ}$ C)		-55~+85
Size(mm)*		Φ 45×72
Weight(KG)		0.195

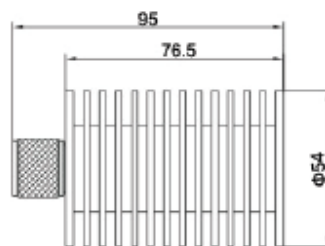
* Customization is available.

Termination – Coaxial (TCB series)



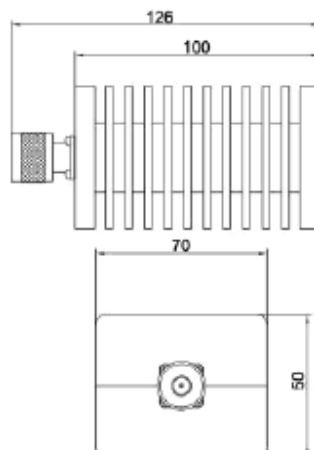
P/N		TCB50-20SN
Power(W)		20
Resistance(Ω)*		50
Frequency(GHz)*		DC-6
VSWR	DC-3GHz	1.15:1 max
	DC-6GHz	1.25:1 max
Connector*		N-M
Operation Temperature($^{\circ}$ C)		-55~+85
Size(mm)*		70×60×50
Weight(KG)		0.36

* Customization is available.



P/N		TCB50-30RN
Power(W)		30
Resistance(Ω)*		50
Frequency(GHz)*		DC-6
VSWR	DC-3GHz	1.15:1 max
	DC-6GHz	1.25:1 max
Connector*		N-M
Operation Temperature($^{\circ}$ C)		-55~+85
Size(mm)*		Φ 54×95
Weight(KG)		0.311

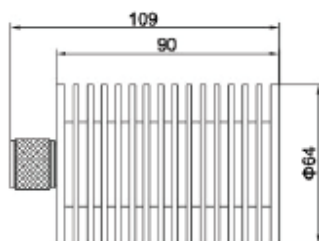
* Customization is available.



P/N		TCB50-30SN
Power(W)		30
Resistance(Ω)*		50
Frequency(GHz)*		DC-6
VSWR	DC-3GHz	1.20:1 max
	DC-6GHz	1.25:1 max
Connector*		N-M
Operation Temperature($^{\circ}$ C)		-55~+85
Size(mm)*		100×70×50
Weight(KG)		0.61

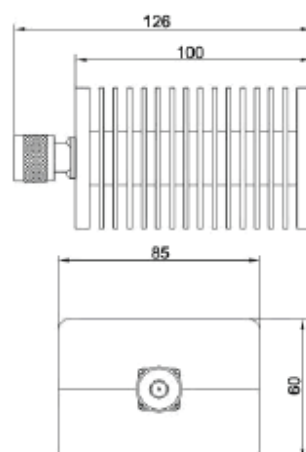
* Customization is available.

Termination – Coaxial (TCB series)



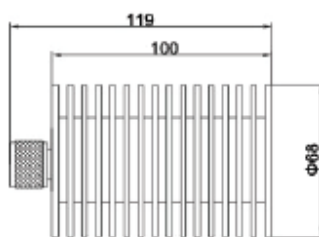
P/N		TCB50-50RN
Power(W)		50
Resistance(Ω)*		50
Frequency(GHz)*		DC-6
VSWR	DC-3GHz	1.20:1 max
	DC-6GHz	1.35:1 max
Connector*		N-M
Operation Temperature($^{\circ}$ C)		-55~+85
Size(mm)*		Φ 64×109
Weight(KG)		0.304

* Customization is available.



P/N		TCB50-50SN
Power(W)		50
Resistance(Ω)*		50
Frequency(GHz)*		DC-6
VSWR	DC-3GHz	1.20:1 max
	DC-6GHz	1.35:1 max
Connector*		N-M
Operation Temperature($^{\circ}$ C)		-55~+85
Size(mm)*		100×85×60
Weight(KG)		0.975

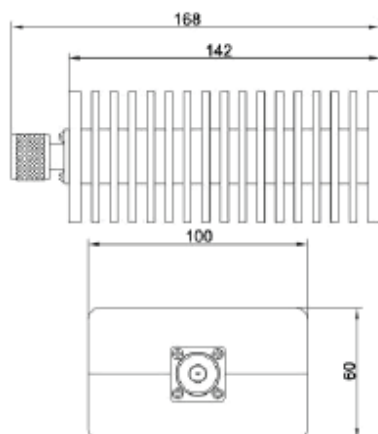
* Customization is available.



P/N		TCB50-80RN
Power(W)		80
Resistance(Ω)*		50
Frequency(GHz)*		DC-6
VSWR	DC-3GHz	1.20:1 max
	DC-6GHz	1.35:1 max
Connector*		N-M
Operation Temperature($^{\circ}$ C)		-55~+85
Size(mm)*		Φ 68×119
Weight(KG)		0.527

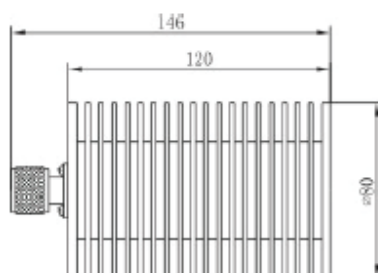
* Customization is available.

Termination – Coaxial (TCB series)



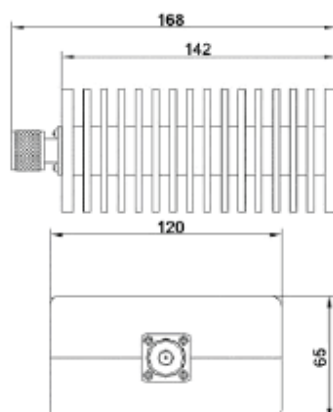
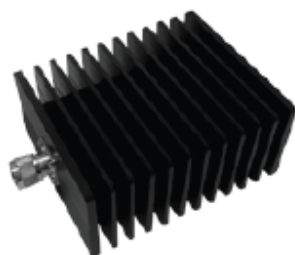
P/N		TCB50-80SN
Power(W)		80
Resistance(Ω)*		50
Frequency(GHz)*		DC-6
VSWR	DC-3GHz	1.20:1 max
	DC-6GHz	1.35:1 max
Connector*		N-M
Operation Temperature($^{\circ}$ C)		-55~+85
Size(mm)*		142×100×60
Weight(KG)		1.328

* Customization is available.



P/N		TCB50-100RN
Power(W)		100
Resistance(Ω)*		50
Frequency(GHz)*		DC-6
VSWR	DC-3GHz	1.20:1 max
	DC-6GHz	1.35:1 max
Connector*		N-M
Operation Temperature($^{\circ}$ C)		-55~+85
Size(mm)*		Φ 80×146
Weight(KG)		0.88

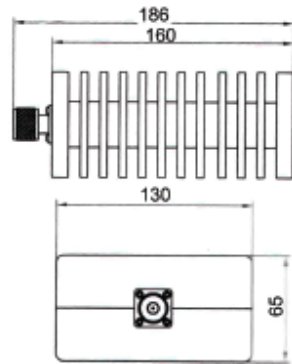
* Customization is available.



P/N		TCB50-100SN
Power(W)		100
Resistance(Ω)*		50
Frequency(GHz)*		DC-6
VSWR	DC-3GHz	1.20:1 max
	DC-6GHz	1.35:1 max
Connector*		N-M
Operation Temperature($^{\circ}$ C)		-55~+85
Size(mm)*		142×120×65
Weight(KG)		1.5

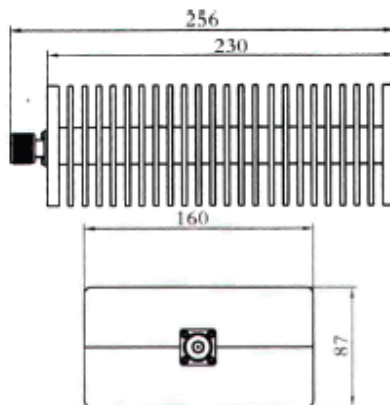
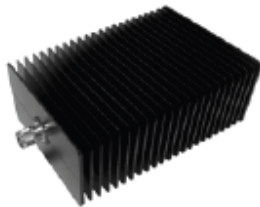
* Customization is available.

Termination – Coaxial (TCB series)



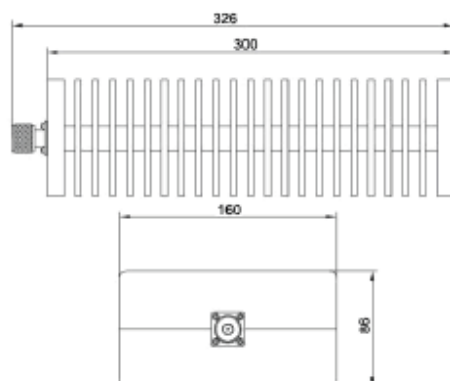
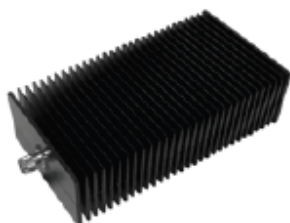
P/N		TCB50-150SN
Power(W)		150
Resistance(Ω)*		50
Frequency(GHz)*		DC-4
VSWR	DC-3GHz	1.20:1 max
	DC-4GHz	1.35:1 max
Connector*		N-M
Operation Temperature($^{\circ}$ C)		-55~+85
Size(mm)*		160×130×65
Weight(KG)		2.1

* Customization is available.



P/N		TCB50-200SN
Power(W)		200
Resistance(Ω)*		50
Frequency(GHz)*		DC-3
VSWR		1.20:1 max
Connector*		N-M
Operation Temperature($^{\circ}$ C)		-55~+85
Size(mm)*		230×160×87
Weight(KG)		4.2

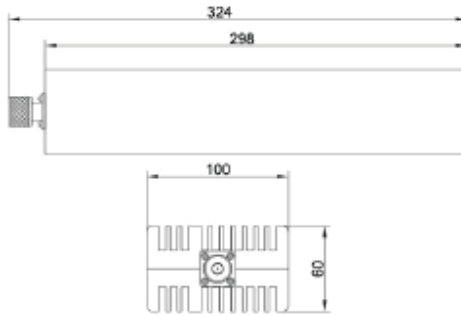
* Customization is available.



P/N		TCB50-300SN
Power(W)		300
Resistance(Ω)*		50
Frequency(GHz)*		DC-3
VSWR		1.20:1 max
Connector*		N-M
Operation Temperature($^{\circ}$ C)		-55~+85
Size(mm)*		300×160×86
Weight(KG)		5.1

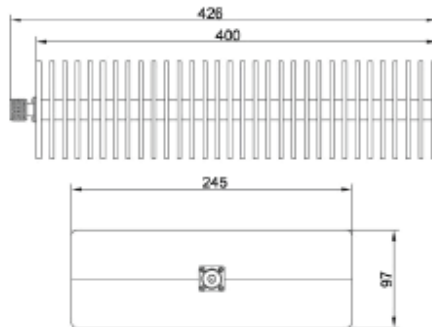
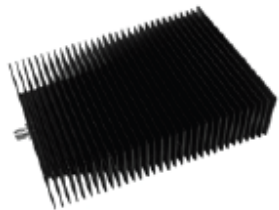
* Customization is available.

Termination – Coaxial (TCB series)



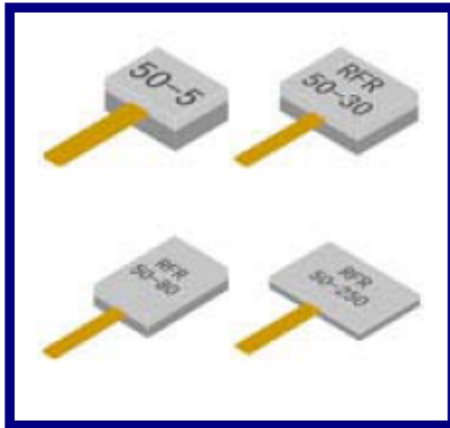
P/N	TCB50-300SNB
Power(W)	300
Resistance(Ω)*	50
Frequency(GHz)*	DC-3
VSWR	1.20:1 max
Connector*	N-M
Operation Temperature($^{\circ}$ C)	-55~+85
Size(mm)*	298×100×60
Weight(KG)	4.0

* Customization is available.



P/N	TCB50-500SN
Power(W)	500
Resistance(Ω)*	50
Frequency(GHz)*	DC-3
VSWR	1.25:1 max
Connector*	N-M
Operation Temperature($^{\circ}$ C)	-55~+85
Size(mm)*	400×245×97
Weight(KG)	7.5

* Customization is available.

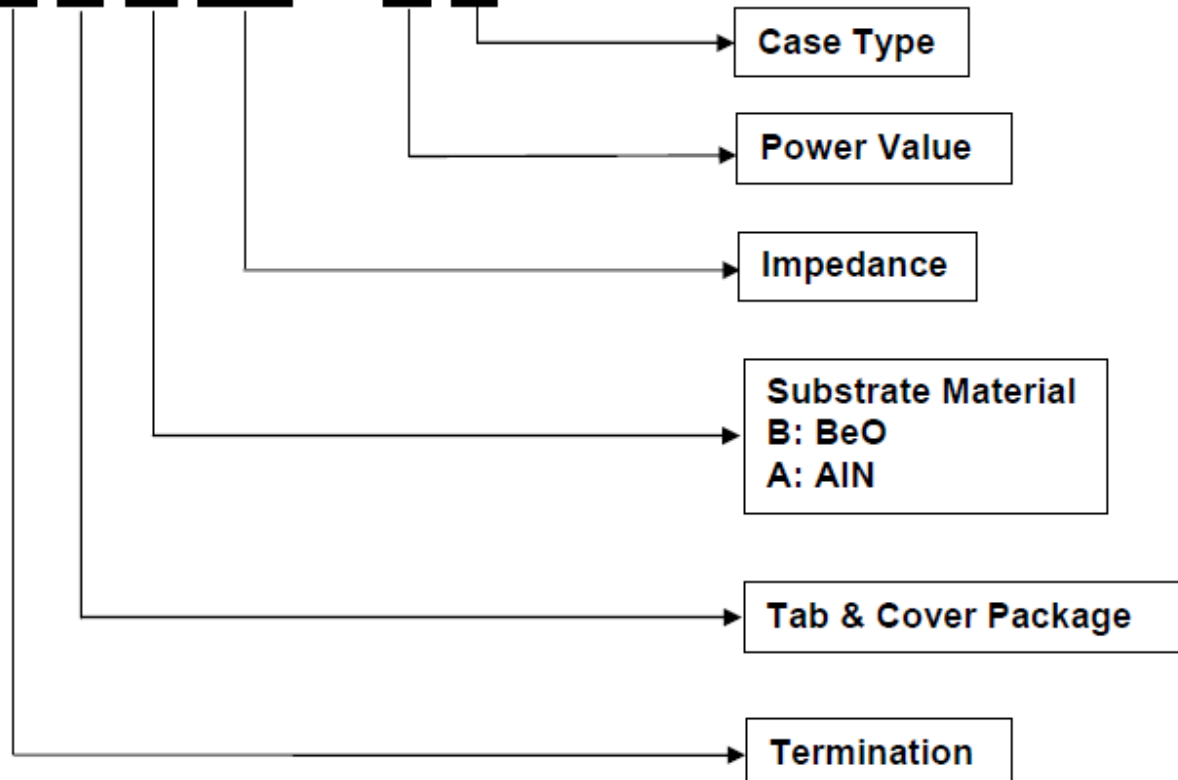


- ◆ Resistance*: 50Ω
- ◆ Substrate Material: BeO, AlN
- ◆ Resistance Tolerance: ±5%
- ◆ Power: 3-300W
- ◆ Frequency Range*: DC-18GHz
- ◆ Operation Temperature: -55 ~ +150°C
- ◆ Temperature Coefficient: ±150ppm/°C
- ◆ RoHS Compliant
- ◆ *Customization is available

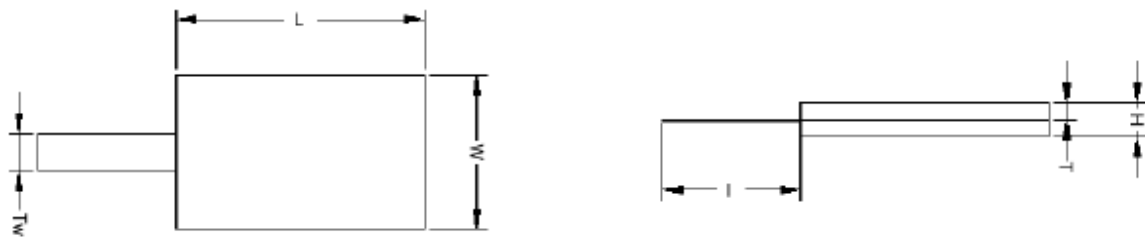
Termination – Tab & Cover (TTB series)

Explanation to P/N

T T B 50 - 3 T

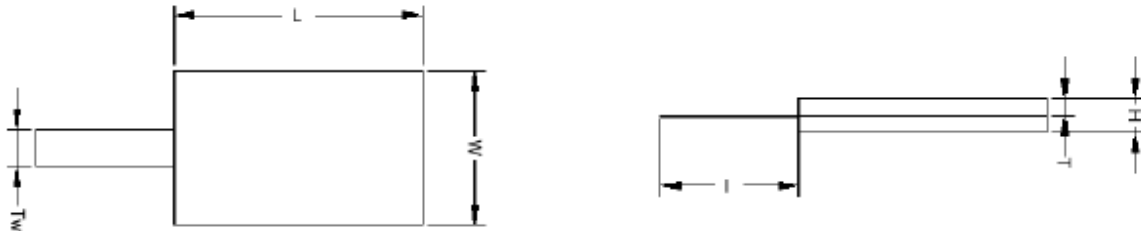


Termination – Tab & Cover (TTB series)

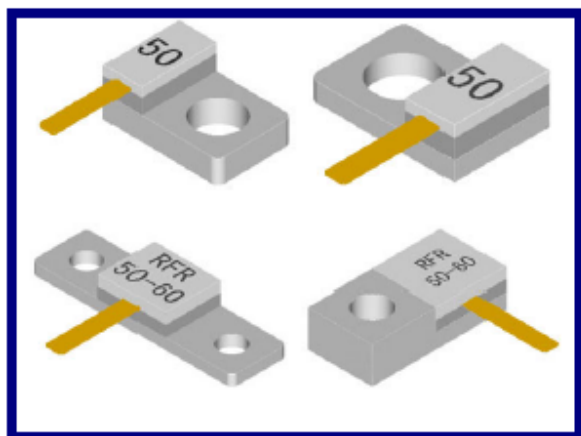


P/N	Power (W)	Frequency (GHz)	VSWR max	Size(mm)					
				W	L	T	H	I	Tw
TTB50-3T	3	DC-6	1.20	3	2.5	1	1.8	4	1
TTB50-3TZ	3	DC-6	1.20	2.5	3	1	1.8	4	1
TTB50-5TP	5	DC-4	1.20	1.27	2.54	1	1.8	4	1
TTB50-5TPP	5	DC-6	1.20	5	2.5	1	1.8	4	1
TTB50-5TZPP	5	DC-6	1.20	2.5	5	1	1.8	4	1
TTB50-5T	5	DC-6	1.20	4	3	1	1.8	4	1
TTB50-5TZ	5	DC-6	1.20	3	4	1	1.8	4	1
TTB50-5TG	5	DC-6	1.20	4	4	1	1.6	4	1
TTB50-10T	10	DC-6	1.25	4	3	1	1.8	4	1
TTB50-10TZ	10	DC-6	1.25	3	4	1	1.8	4	1
TTB50-10TG	10	DC-6	1.25	4	4	1	1.6	4	1
TTB50-10TP	10	DC-6	1.25	3	2.5	1	1.8	4	1
TTB50-10TPP	10	DC-6	1.25	2.5	3	1	1.8	4	1
TTB50-20TG	20	DC-6	1.30	5	2.5	1	1.8	4	1
TTB50-20TP	20	DC-18	1.35	5	2.5	1	1.8	4	1
TTB50-20TPP	20	DC-6	1.20	2.5	5	1	1.8	4	1
TTB50-20TZPP	20	DC-6	1.25	4	3	1	1.8	4	1
TTB50-20TG	20	DC-6	1.25	3	4	1	1.8	4	1
TTB50-20TGG	20	DC-3	1.20	4	4	1	1.6	4	1
TTB50-20T	20	DC-3	1.20	5	4	1	1.9	4	1
TTB50-20TZ	20	DC-3	1.20	4	5	1	1.9	4	1
TTB50-30TPP	30	DC-4	1.25	6	4.7	1	2.2	6	1
TTB50-30TZPP	30	DC-4	1.25	4.7	6	1	2.2	6	1
TTB50-30T	30	DC-6	1.20	6	6	1	1.8	6	1
TTB50-40T	40	DC-4	1.25	6	4.7	1	2.2	6	1
TTB50-40TZ	40	DC-4	1.25	4.7	6	1	2.2	6	1
TTB60-60T	60	DC-4	1.25	6	5	1	1.8	6	1

Termination – Tab & Cover (TTB series)



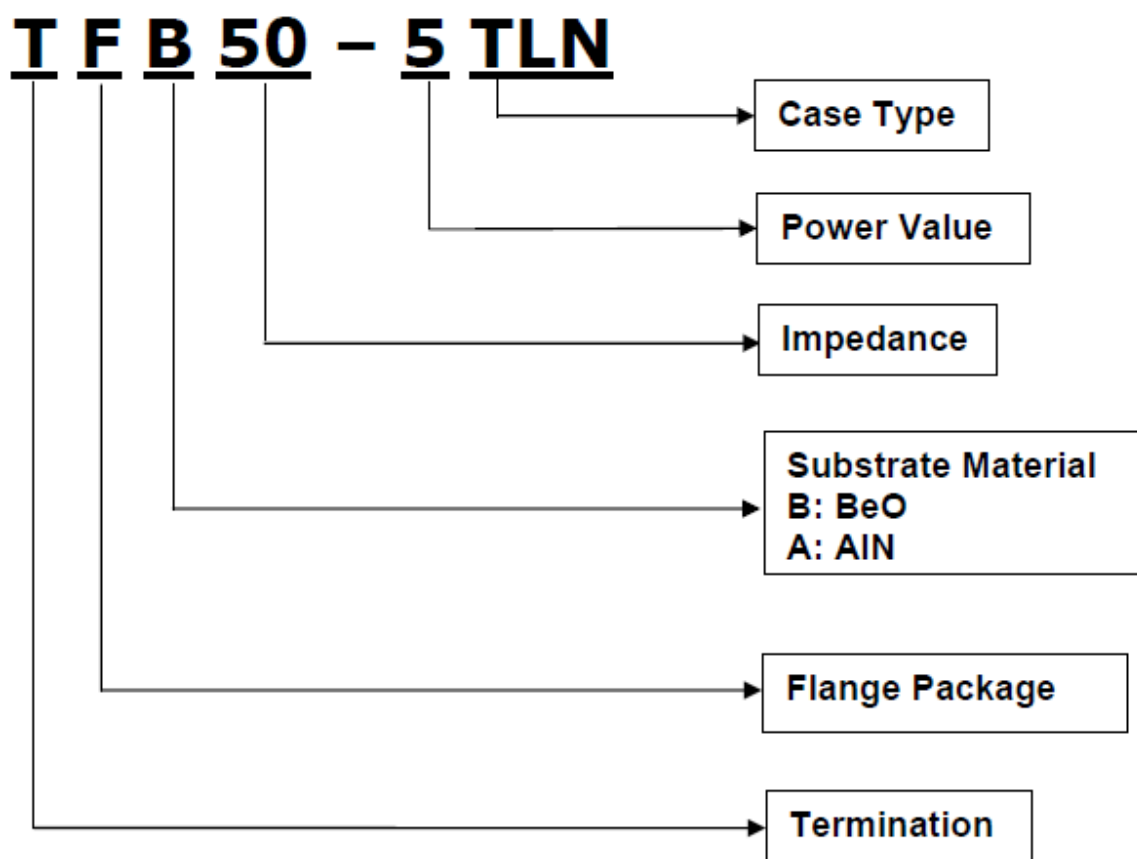
P/N	Power (W)	Frequency (GHz)	VSWR max	Size(mm)					
				W	L	T	H	I	TW
TTB50-60TZ	60	DC-4	1.25	5	6	1	1.8	6	1
TTB50-60TG	60	DC-6	1.25	6	6	1	1.8	6	1
TTB50-80T	80	DC-3	1.20	9	6	1	2.2	6	1.4
TTB50-80TZ	80	DC-3	1.20	6	9	1	2.2	6	1.4
TTB50-100TPP	100	DC-3	1.20	9	6	1	2.2	6	1.4
TTB50-100T	100	DC-3	1.20	6	9	1	2.2	6	1.4
TTB50-100TZ	100	DC-2.2	1.20	10	8	1	2.2	6	1.4
TTB50-100TG	100	DC-3	1.20	8	10	1	2.2	6	1.4
TTB50-150TZ	150	DC-3	1.20	8	9.5	1.5	2.2	6	1.4
TTB50-150TPP	150	DC-3	1.20	6.35	9.5	1	2.2	6	1
TTB50-150T	150	DC-3	1.20	10	10	1	2.2	6	1.4
TTB50-250TPP	250	DC-3	1.20	9.5	9.5	1.5	2.2	6	1.4
TTB50-250TZ	250	DC-3	1.20	10	10	1.5	2.2	6	2.5
TTB50-250T	250	DC-3	1.20	12.7	10	1.5	2.2	6	2.5
TTB50-300T	300	DC-2.5	1.20	12.7	12.7	1.5	2.2	6	2.5



- ◆ Resistance*: 50Ω
- ◆ Substrate Material: BeO, AlN
- ◆ Resistance Tolerance: ±5%
- ◆ Power: 5-800W
- ◆ Frequency Range*: DC-6GHz
- ◆ Operation Temperature: -55 ~ +150°C
- ◆ Temperature Coefficient: ±150ppm/°C
- ◆ RoHS Compliant
- ◆ *Customization is available

Termination – Flange (TFB series)

Explanation to P/N



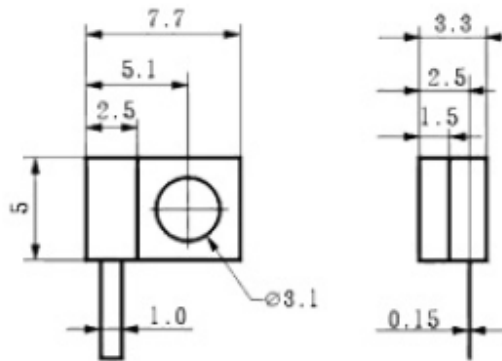
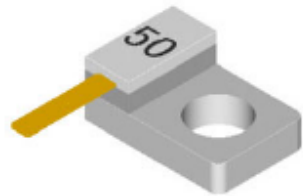
Termination – Flange (TFB series)

P/N	Power (W)	Frequency (GHz)	Substrate	Resistance (Ω)	VSWR max
TFB50-5TLN	5	DC-3	BeO	50 \pm 5%	1.25:1
TFB50-5TRN	5	DC-3	BeO	50 \pm 5%	1.25:1
TFB50-5TLG	5	DC-6	BeO	50 \pm 5%	1.25:1
TFB50-5TRG	5	DC-6	BeO	50 \pm 5%	1.25:1
TFB50-5TLA	5	DC-6	BeO	50 \pm 5%	1.30:1
TFB50-5TRA	5	DC-6	BeO	50 \pm 5%	1.30:1
TFB50-5TIA	5	DC-6	BeO	50 \pm 5%	1.30:1
TFB50-5TBE	5	DC-6	BeO	50 \pm 5%	1.30:1
TFB50-10TLK	10	DC-6	BeO	50 \pm 5%	1.25:1
TFB50-10TRK	10	DC-6	BeO	50 \pm 5%	1.25:1
TFB50-10TLA	10	DC-6	BeO	50 \pm 5%	1.30:1
TFB50-10TRA	10	DC-6	BeO	50 \pm 5%	1.30:1
TFB50-10TIA	10	DC-6	BeO	50 \pm 5%	1.30:1
TFB50-10TBE	10	DC-6	BeO	50 \pm 5%	1.30:1
TFB50-10TBC	10	DC-6	BeO	50 \pm 5%	1.30:1
TFB50-10TBAG	10	DC-6	BeO	50 \pm 5%	1.30:1
TFB50-10TBG	10	DC-6	BeO	50 \pm 5%	1.30:1
TFB50-20TBE	20	DC-3	BeO	50 \pm 5%	1.20:1
TFB50-30TBM	30	DC-6	BeO	50 \pm 5%	1.25:1
TFB50-30TBN	30	DC-6	BeO	50 \pm 5%	1.25:1
TFB50-30TBO	30	DC-6	BeO	50 \pm 5%	1.25:1
TFB50-30TIJ	30	DC-6	BeO	50 \pm 5%	1.25:1
TFB50-30TRJ	30	DC-6	BeO	50 \pm 5%	1.25:1
TFB50-30TLJ	30	DC-6	BeO	50 \pm 5%	1.25:1
TFB50-30TBL	30	DC-4	BeO	50 \pm 5%	1.25:1
TFB50-30TBR	30	DC-6	BeO	50 \pm 5%	1.25:1
TFB50-40TBL	40	DC-4	BeO	50 \pm 5%	1.25:1
TFB50-60TLJ	60	DC-6	BeO	50 \pm 5%	1.20:1
TFB50-60TRJ	60	DC-6	BeO	50 \pm 5%	1.20:1
TFB50-60TIJ	60	DC-6	BeO	50 \pm 5%	1.20:1
TFB50-60TBR	60	DC-6	BeO	50 \pm 5%	1.20:1
TFB50-80TBR	80	DC-3	BeO	50 \pm 5%	1.20:1
TFB50-80THA	80	DC-2	BeO	50 \pm 5%	1.20:1
TFB50-100TBR	100	DC-3	BeO	50 \pm 5%	1.20:1
TFB50-100TIM	100	DC-3	BeO	50 \pm 5%	1.15:1
TFB50-100TLM	100	DC-3	BeO	50 \pm 5%	1.15:1
TFB50-100TRM	100	DC-3	BeO	50 \pm 5%	1.15:1
TFB50-100THA	100	DC-3	BeO	50 \pm 5%	1.20:1
TFB50-100TBZ	100	DC-3	BeO	50 \pm 5%	1.20:1
TFB50-100TBAH	100	DC-3	BeO	50 \pm 5%	1.20:1
TFB50-100THE	100	DC-3	BeO	50 \pm 5%	1.15:1
TFB50-150TLM	150	DC-3	BeO	50 \pm 5%	1.15:1
TFB50-150TRM	150	DC-3	BeO	50 \pm 5%	1.15:1
TFB50-150TIM	150	DC-3	BeO	50 \pm 5%	1.15:1
TFB50-150THE	150	DC-3	BeO	50 \pm 5%	1.15:1
TFB50-150TBAH	150	DC-3	BeO	50 \pm 5%	1.20:1

Termination – Flange (TFB series)

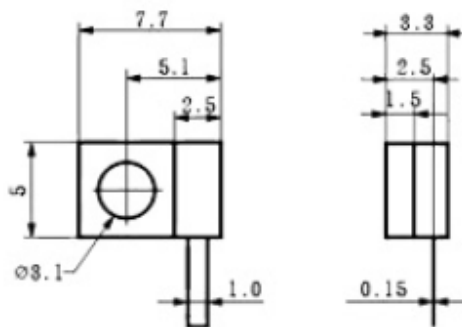
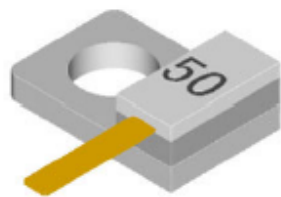
P/N	Power (W)	Frequency (GHz)	Substrate	Resistance (Ω)	VSWR max
TFB50-250TBAH	250	DC-3	BeO	50 \pm 5%	1.20:1
TFB50-250TLM	250	DC-3	BeO	50 \pm 5%	1.15:1
TFB50-250TRM	250	DC-3	BeO	50 \pm 5%	1.15:1
TFB50-250TIM	250	DC-3	BeO	50 \pm 5%	1.15:1
TFB50-250THE	250	DC-3	BeO	50 \pm 5%	1.15:1
TFB50-250TBAB	250	DC-3	BeO	50 \pm 5%	1.10:1
TFB50-300TBAB	300	DC-2.5	BeO	50 \pm 5%	1.15:1
TFB50-500TEG	500	DC-2	BeO	50 \pm 5%	1.20:1
TFB50-800TEG	800	DC-0.5	BeO	50 \pm 5%	1.15:1

Termination – Flange (TFB series)



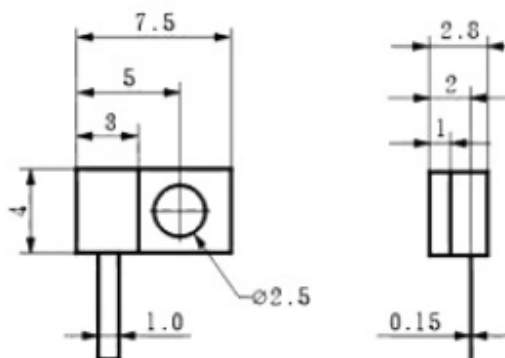
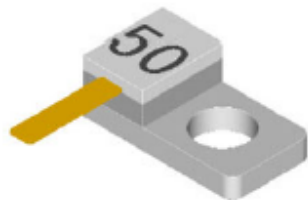
P/N		TFB50-5TLN
Power(W)		5
Substrate		BeO
Resistance(Ω)*		50 \pm 5%
Frequency(GHz)*		DC-3
VSWR	DC-2GHz	1.15:1 max
	DC-3GHz	1.25:1 max
Operation Temperature($^{\circ}$ C)		-55~+150
Lead Length(mm)*		4

* Customization is available.



P/N		TFB50-5TRN
Power(W)		5
Substrate		BeO
Resistance(Ω)*		50 \pm 5%
Frequency(GHz)*		DC-3
VSWR	DC-2GHz	1.15:1 max
	DC-3GHz	1.25:1 max
Operation Temperature($^{\circ}$ C)		-55~+150
Lead Length(mm)*		4

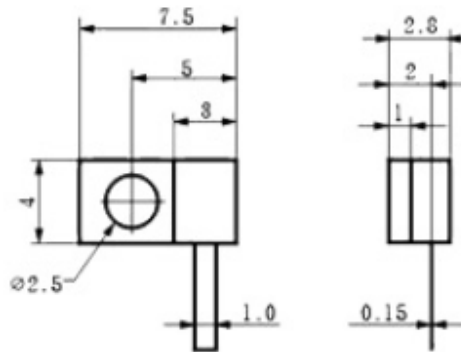
* Customization is available.



P/N		TFB50-5TLG
Power(W)		5
Substrate		BeO
Resistance(Ω)*		50 \pm 5%
Frequency(GHz)*		DC-6
VSWR	DC-3GHz	1.10:1 max
	DC-5GHz	1.15:1 max
	DC-6GHz	1.25:1 max
Operation Temperature($^{\circ}$ C)		-55~+150
Lead Length(mm)*		4

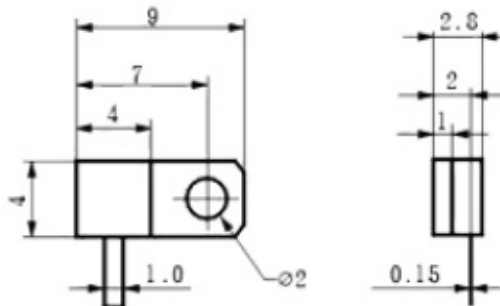
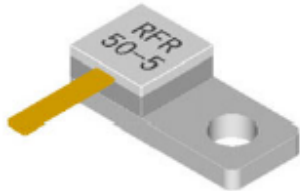
* Customization is available.

Termination – Flange (TFB series)



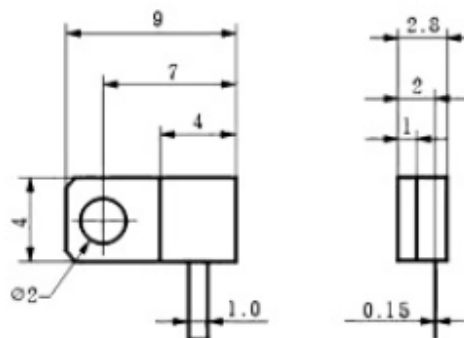
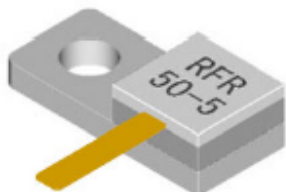
P/N		TFB50-5TRG
Power(W)		5
Substrate		BeO
Resistance(Ω)*		50 \pm 5%
Frequency(GHz)*		DC-6
VSWR	DC-3GHz	1.10:1 max
	DC-5GHz	1.15:1 max
	DC-6GHz	1.25:1 max
Operation Temperature($^{\circ}$ C)		-55~+150
Lead Length(mm)*		4

* Customization is available.



P/N		TFB50-5TLA
Power(W)		5
Substrate		BeO
Resistance(Ω)*		50 \pm 5%
Frequency(GHz)*		DC-6
VSWR	DC-3GHz	1.15:1 max
	DC-4GHz	1.20:1 max
	DC-6GHz	1.30:1 max
Operation Temperature($^{\circ}$ C)		-55~+150
Lead Length(mm)*		4

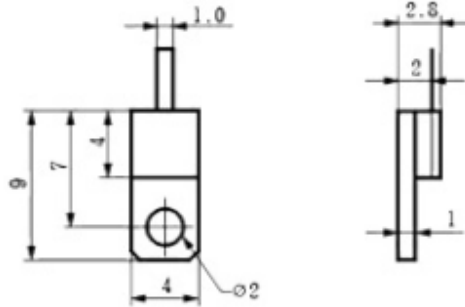
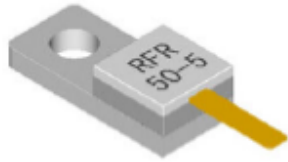
* Customization is available.



P/N		TFB50-5TRA
Power(W)		5
Substrate		BeO
Resistance(Ω)*		50 \pm 5%
Frequency(GHz)*		DC-6
VSWR	DC-3GHz	1.15:1 max
	DC-4GHz	1.20:1 max
	DC-6GHz	1.30:1 max
Operation Temperature($^{\circ}$ C)		-55~+150
Lead Length(mm)*		4

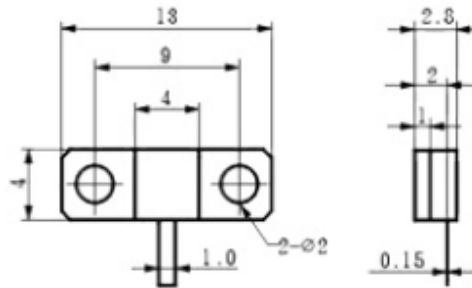
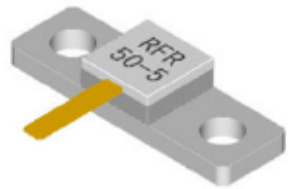
* Customization is available.

Termination – Flange (TFB series)



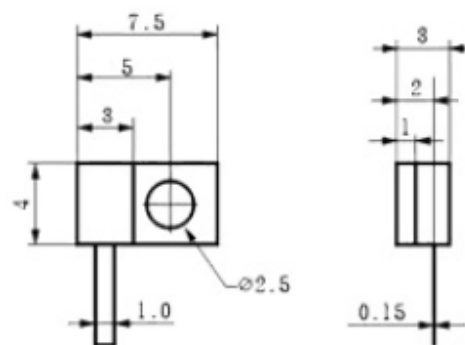
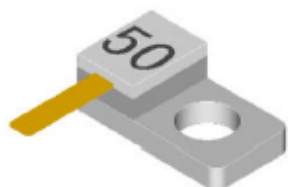
P/N		TFB50-5TIA
Power(W)		5
Substrate		BeO
Resistance(Ω)*		50 \pm 5%
Frequency(GHz)*		DC-6
VSWR	DC-3GHz	1.15:1 max
	DC-4GHz	1.20:1 max
	DC-6GHz	1.30:1 max
Operation Temperature($^{\circ}$ C)		-55~+150
Lead Length(mm)*		4

* Customization is available.



P/N		TFB50-5TBE
Power(W)		5
Substrate		BeO
Resistance(Ω)*		50 \pm 5%
Frequency(GHz)*		DC-6
VSWR	DC-3GHz	1.15:1 max
	DC-4GHz	1.20:1 max
	DC-6GHz	1.30:1 max
Operation Temperature($^{\circ}$ C)		-55~+150
Lead Length(mm)*		4

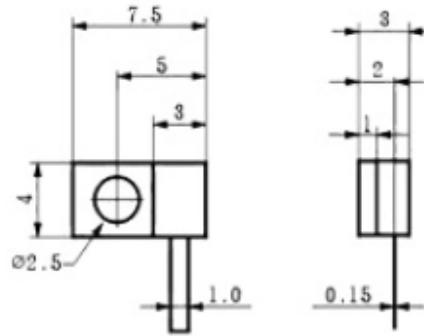
* Customization is available.



P/N		TFB50-10TLK
Power(W)		10
Substrate		BeO
Resistance(Ω)*		50 \pm 5%
Frequency(GHz)*		DC-6
VSWR	DC-3GHz	1.10:1 max
	DC-4GHz	1.12:1 max
	DC-6GHz	1.25:1 max
Operation Temperature($^{\circ}$ C)		-55~+150
Lead Length(mm)*		4

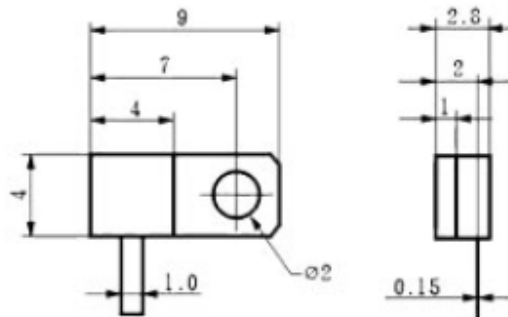
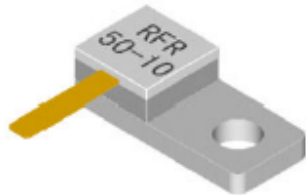
* Customization is available.

Termination – Flange (TFB series)



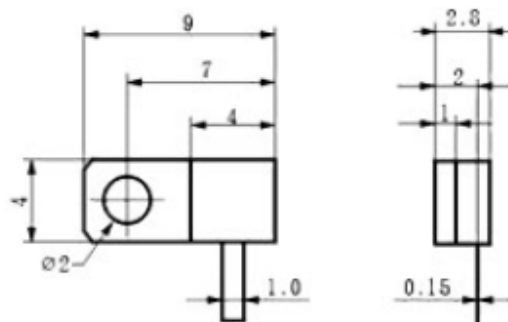
P/N		TFB50-10TRK
Power(W)		10
Substrate		BeO
Resistance(Ω)*		50 \pm 5%
Frequency(GHz)*		DC-6
VSWR	DC-3GHz	1.10:1 max
	DC-4GHz	1.12:1 max
	DC-6GHz	1.25:1 max
Operation Temperature($^{\circ}$ C)		-55~+150
Lead Length(mm)*		4

* Customization is available.



P/N		TFB50-10TLA
Power(W)		10
Substrate		BeO
Resistance(Ω)*		50 \pm 5%
Frequency(GHz)*		DC-6
VSWR	DC-3GHz	1.15:1 max
	DC-4GHz	1.20:1 max
	DC-6GHz	1.30:1 max
Operation Temperature($^{\circ}$ C)		-55~+150
Lead Length(mm)*		4

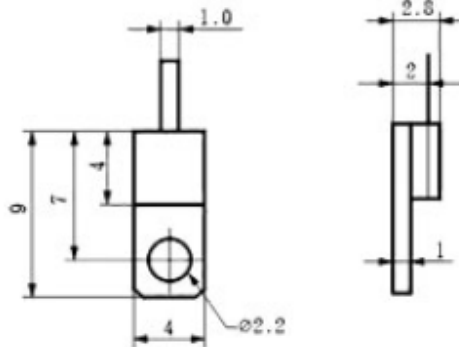
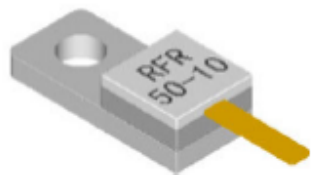
* Customization is available.



P/N		TFB50-10TRA
Power(W)		10
Substrate		BeO
Resistance(Ω)*		50 \pm 5%
Frequency(GHz)*		DC-6
VSWR	DC-3GHz	1.15:1 max
	DC-4GHz	1.20:1 max
	DC-6GHz	1.30:1 max
Operation Temperature($^{\circ}$ C)		-55~+150
Lead Length(mm)*		4

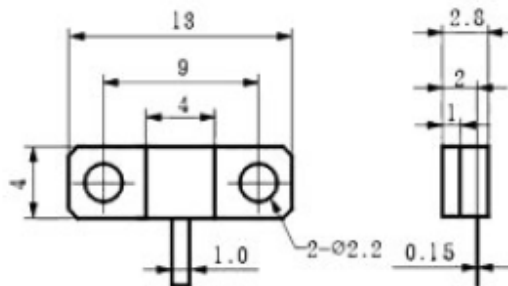
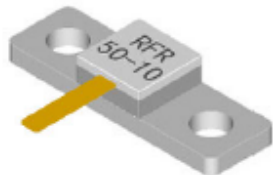
* Customization is available.

Termination – Flange (TFB series)



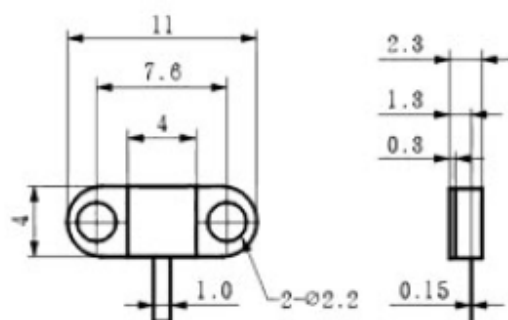
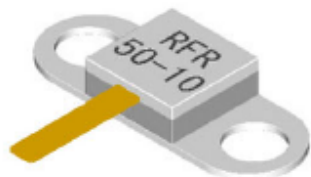
P/N		TFB50-10TIA
Power(W)		10
Substrate		BeO
Resistance(Ω)*		50 \pm 5%
Frequency(GHz)*		DC-6
VSWR	DC-3GHz	1.15:1 max
	DC-4GHz	1.20:1 max
	DC-6GHz	1.30:1 max
Operation Temperature($^{\circ}$ C)		-55~+150
Lead Length(mm)*		4

* Customization is available.



P/N		TFB50-10TBE
Power(W)		10
Substrate		BeO
Resistance(Ω)*		50 \pm 5%
Frequency(GHz)*		DC-6
VSWR	DC-3GHz	1.15:1 max
	DC-4GHz	1.20:1 max
	DC-6GHz	1.30:1 max
Operation Temperature($^{\circ}$ C)		-55~+150
Lead Length(mm)*		4

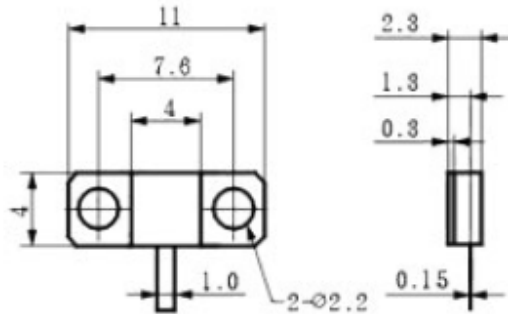
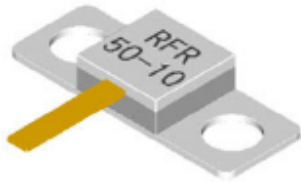
* Customization is available.



P/N		TFB50-10TBC
Power(W)		10
Substrate		BeO
Resistance(Ω)*		50 \pm 5%
Frequency(GHz)*		DC-6
VSWR	DC-3GHz	1.15:1 max
	DC-4GHz	1.20:1 max
	DC-6GHz	1.30:1 max
Operation Temperature($^{\circ}$ C)		-55~+150
Lead Length(mm)*		4

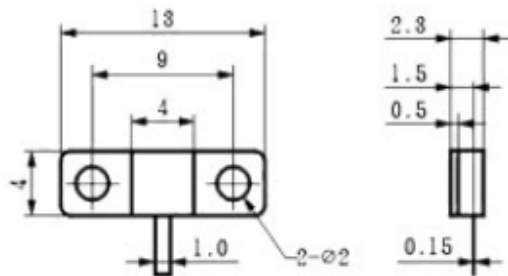
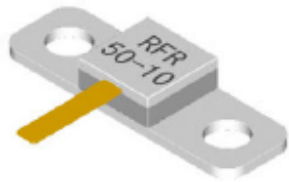
* Customization is available.

Termination – Flange (TFB series)



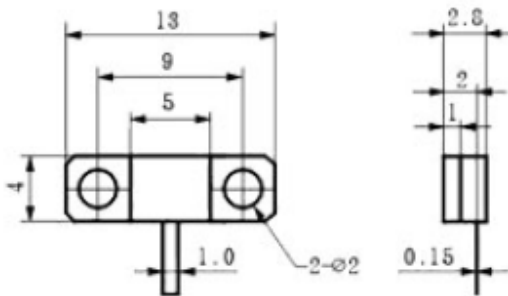
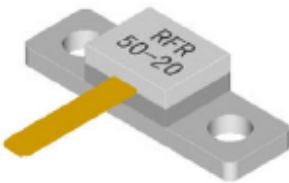
P/N		TFB50-10TBAG
Power(W)		10
Substrate		BeO
Resistance(Ω)*		50 \pm 5%
Frequency(GHz)*		DC-6
VSWR	DC-3GHz	1.15:1 max
	DC-4GHz	1.20:1 max
	DC-6GHz	1.30:1 max
Operation Temperature($^{\circ}$ C)		-55~+150
Lead Length(mm)*		4

* Customization is available.



P/N		TFB50-10TBG
Power(W)		10
Substrate		BeO
Resistance(Ω)*		50 \pm 5%
Frequency(GHz)*		DC-6
VSWR	DC-3GHz	1.15:1 max
	DC-4GHz	1.20:1 max
	DC-6GHz	1.30:1 max
Operation Temperature($^{\circ}$ C)		-55~+150
Lead Length(mm)*		4

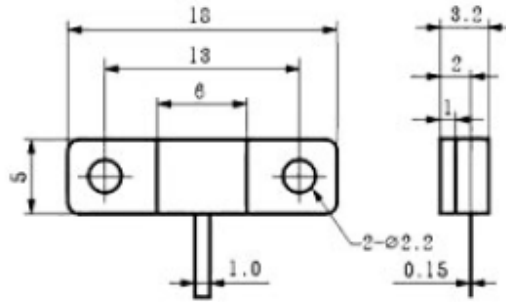
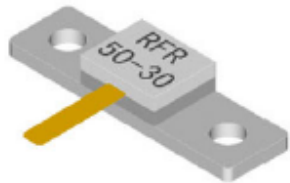
* Customization is available.



P/N		TFB50-20TBE
Power(W)		20
Substrate		BeO
Resistance(Ω)*		50 \pm 5%
Frequency(GHz)*		DC-3
VSWR		1.20:1 max
Operation Temperature($^{\circ}$ C)		-55~+150
Lead Length(mm)*		4

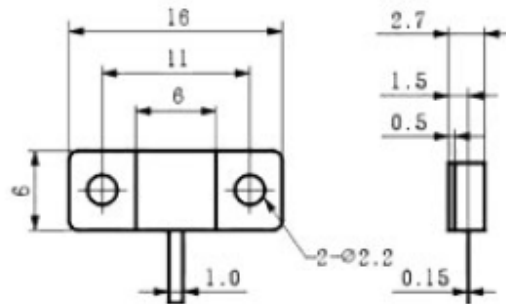
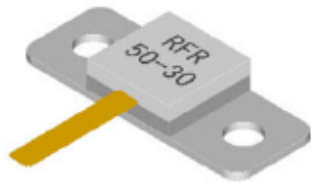
* Customization is available.

Termination – Flange (TFB series)



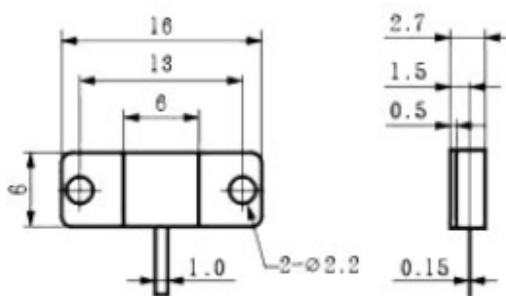
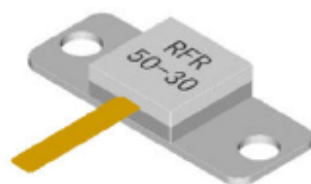
P/N		TFB50-30TBM
Power(W)		30
Substrate		BeO
Resistance(Ω)*		50 \pm 5%
Frequency(GHz)*		DC-6
VSWR	DC-3GHz	1.10:1 max
	DC-5GHz	1.15:1 max
	DC-6GHz	1.25:1 max
Operation Temperature($^{\circ}$ C)		-55~+150
Lead Length(mm)*		6

* Customization is available.



P/N		TFB50-30TBN
Power(W)		30
Substrate		BeO
Resistance(Ω)*		50 \pm 5%
Frequency(GHz)*		DC-6
VSWR	DC-3GHz	1.10:1 max
	DC-5GHz	1.15:1 max
	DC-6GHz	1.25:1 max
Operation Temperature($^{\circ}$ C)		-55~+150
Lead Length(mm)*		6

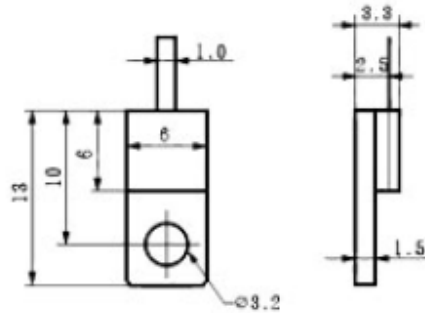
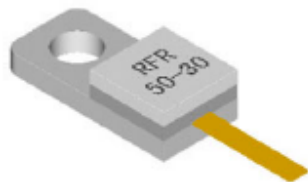
* Customization is available.



P/N		TFB50-30TBO
Power(W)		30
Substrate		BeO
Resistance(Ω)*		50 \pm 5%
Frequency(GHz)*		DC-6
VSWR	DC-3GHz	1.10:1 max
	DC-5GHz	1.15:1 max
	DC-6GHz	1.25:1 max
Operation Temperature($^{\circ}$ C)		-55~+150
Lead Length(mm)*		6

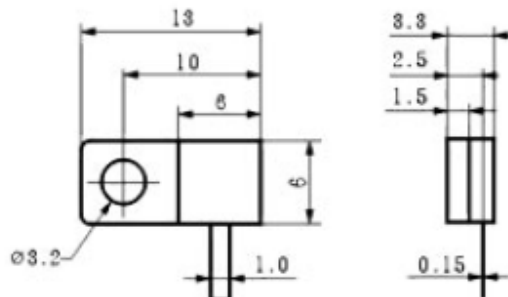
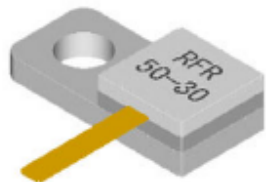
* Customization is available.

Termination – Flange (TFB series)



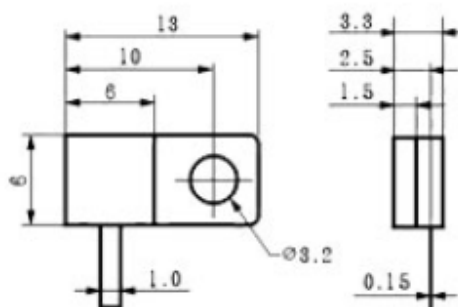
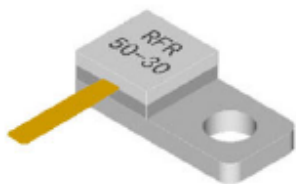
P/N		TFB50-30TIJ
Power(W)		30
Substrate		BeO
Resistance(Ω)*		50 \pm 5%
Frequency(GHz)*		DC-6
VSWR	DC-3GHz	1.10:1 max
	DC-5GHz	1.15:1 max
	DC-6GHz	1.25:1 max
Operation Temperature($^{\circ}$ C)		-55~+150
Lead Length(mm)*		6

* Customization is available.



P/N		TFB50-30TRJ
Power(W)		30
Substrate		BeO
Resistance(Ω)*		50 \pm 5%
Frequency(GHz)*		DC-6
VSWR	DC-3GHz	1.10:1 max
	DC-5GHz	1.15:1 max
	DC-6GHz	1.25:1 max
Operation Temperature($^{\circ}$ C)		-55~+150
Lead Length(mm)*		6

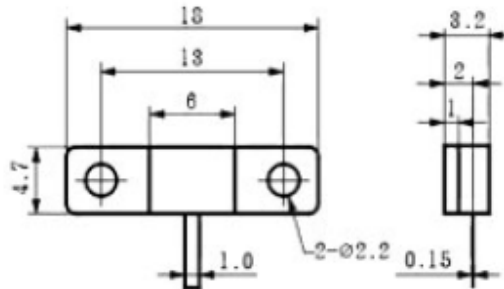
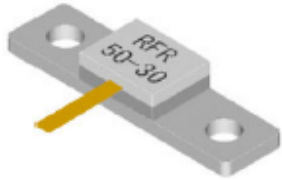
* Customization is available.



P/N		TFB50-30TLJ
Power(W)		30
Substrate		BeO
Resistance(Ω)*		50 \pm 5%
Frequency(GHz)*		DC-6
VSWR	DC-3GHz	1.10:1 max
	DC-5GHz	1.15:1 max
	DC-6GHz	1.25:1 max
Operation Temperature($^{\circ}$ C)		-55~+150
Lead Length(mm)*		6

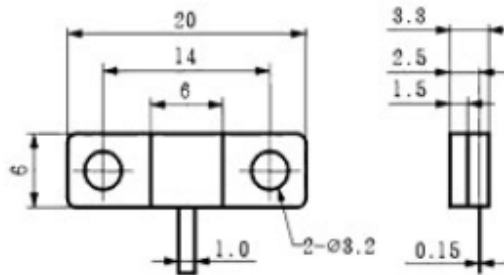
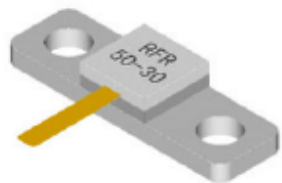
* Customization is available.

Termination – Flange (TFB series)



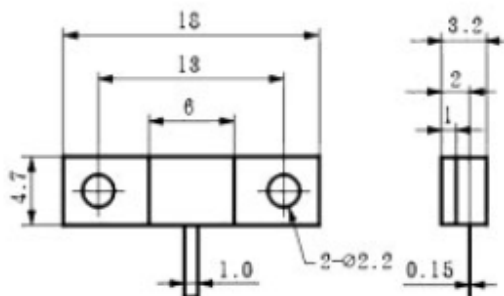
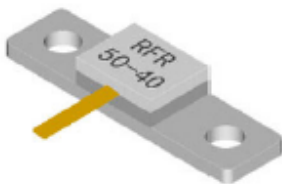
P/N		TFB50-30TBL
Power(W)		30
Substrate		BeO
Resistance(Ω)*		50 \pm 5%
Frequency(GHz)*		DC-4
VSWR	DC-3GHz	1.12:1 max
	DC-4GHz	1.25:1 max
Operation Temperature($^{\circ}$ C)		-55~+150
Lead Length(mm)*		6

* Customization is available.



P/N		TFB50-30TBR
Power(W)		30
Substrate		BeO
Resistance(Ω)*		50 \pm 5%
Frequency(GHz)*		DC-6
VSWR	DC-3GHz	1.10:1 max
	DC-5GHz	1.15:1 max
	DC-6GHz	1.25:1 max
Operation Temperature($^{\circ}$ C)		-55~+150
Lead Length(mm)*		6

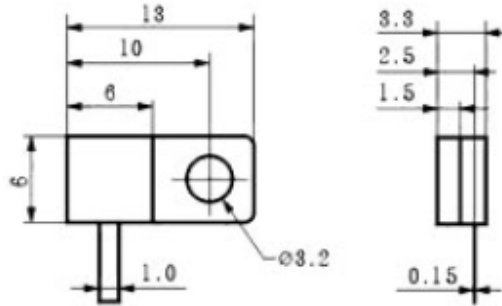
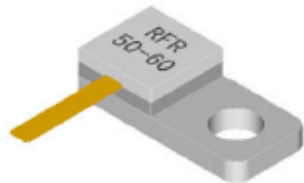
* Customization is available.



P/N		TFB50-40TBL
Power(W)		40
Substrate		BeO
Resistance(Ω)*		50 \pm 5%
Frequency(GHz)*		DC-4
VSWR	DC-3GHz	1.12:1 max
	DC-4GHz	1.25:1 max
Operation Temperature($^{\circ}$ C)		-55~+150
Lead Length(mm)*		6

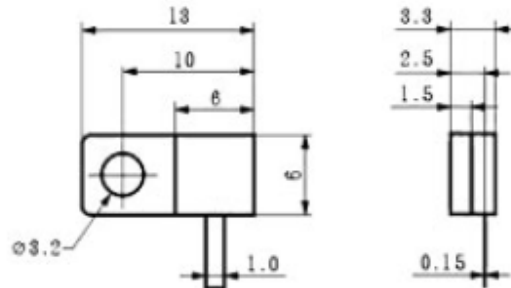
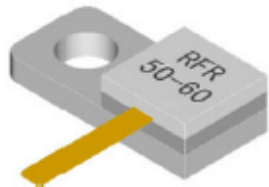
* Customization is available.

Termination – Flange (TFB series)



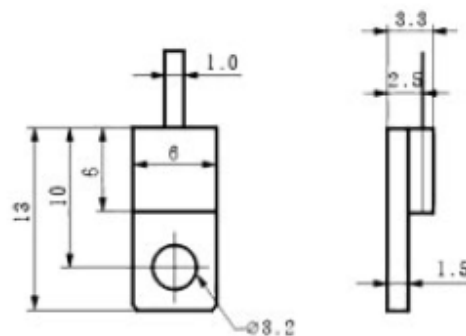
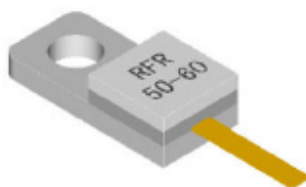
P/N		TFB50-60TLJ
Power(W)		60
Substrate		BeO
Resistance(Ω)*		50 \pm 5%
Frequency(GHz)*		DC-6
VSWR	DC-3GHz	1.10:1 max
	DC-5GHz	1.15:1 max
	DC-6GHz	1.20:1 max
Operation Temperature($^{\circ}$ C)		-55~+150
Lead Length(mm)*		6

* Customization is available.



P/N		TFB50-60TRJ
Power(W)		60
Substrate		BeO
Resistance(Ω)*		50 \pm 5%
Frequency(GHz)*		DC-6
VSWR	DC-3GHz	1.10:1 max
	DC-5GHz	1.15:1 max
	DC-6GHz	1.20:1 max
Operation Temperature($^{\circ}$ C)		-55~+150
Lead Length(mm)*		6

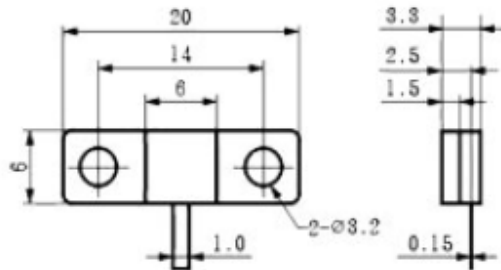
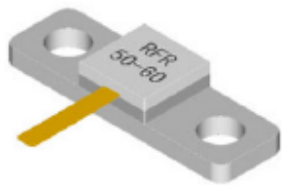
* Customization is available.



P/N		TFB50-60TIJ
Power(W)		60
Substrate		BeO
Resistance(Ω)*		50 \pm 5%
Frequency(GHz)*		DC-6
VSWR	DC-3GHz	1.10:1 max
	DC-5GHz	1.15:1 max
	DC-6GHz	1.20:1 max
Operation Temperature($^{\circ}$ C)		-55~+150
Lead Length(mm)*		6

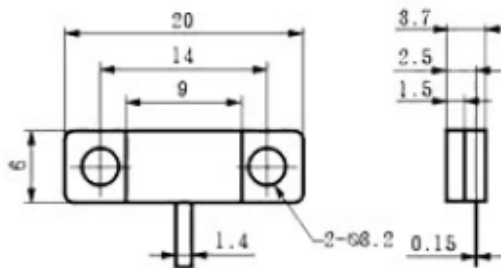
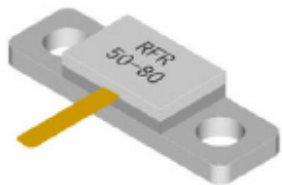
* Customization is available.

Termination – Flange (TFB series)



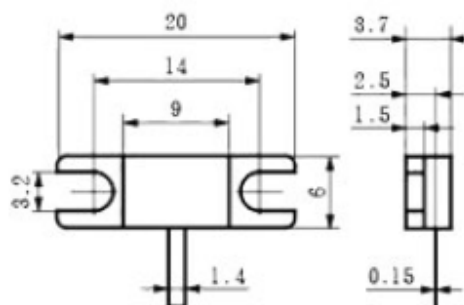
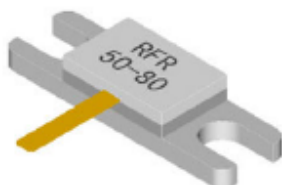
P/N		TFB50-60TBR
Power(W)		60
Substrate		BeO
Resistance(Ω)*		50 \pm 5%
Frequency(GHz)*		DC-6
VSWR	DC-3GHz	1.10:1 max
	DC-5GHz	1.15:1 max
	DC-6GHz	1.20:1 max
Operation Temperature($^{\circ}$ C)		-55~+150
Lead Length(mm)*		6

* Customization is available.



P/N		TFB50-80TBR
Power(W)		80
Substrate		BeO
Resistance(Ω)*		50 \pm 5%
Frequency(GHz)*		DC-3
VSWR		1.20:1 max
Operation Temperature($^{\circ}$ C)		-55~+150
Lead Length(mm)*		6

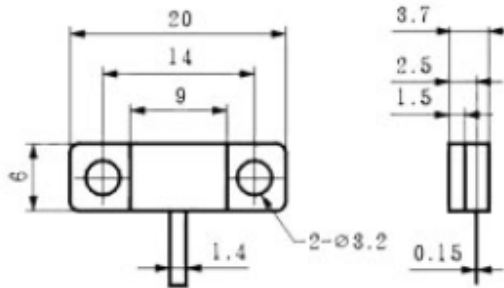
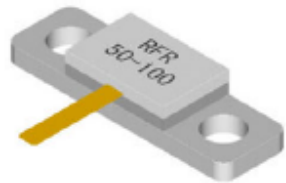
* Customization is available.



P/N		TFB50-80THA
Power(W)		80
Substrate		BeO
Resistance(Ω)*		50 \pm 5%
Frequency(GHz)*		DC-2
VSWR		1.20:1 max
Operation Temperature($^{\circ}$ C)		-55~+150
Lead Length(mm)*		6

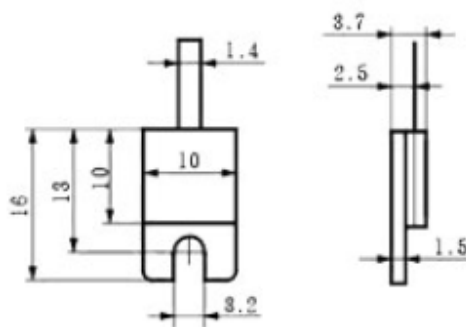
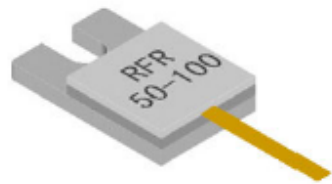
* Customization is available.

Termination – Flange (TFB series)



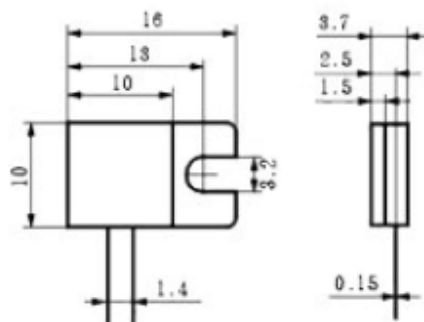
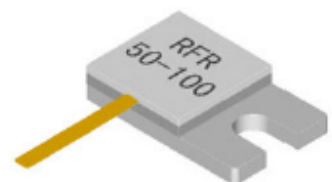
P/N	TFB50-100TBR
Power(W)	100
Substrate	BeO
Resistance(Ω)*	50 \pm 5%
Frequency(GHz)*	DC-3
VSWR	1.20:1 max
Operation Temperature($^{\circ}$ C)	-55~+150
Lead Length(mm)*	6

* Customization is available.



P/N	TFB50-100TIM
Power(W)	100
Substrate	BeO
Resistance(Ω)*	50 \pm 5%
Frequency(GHz)*	DC-3
VSWR	1.15:1 max
Operation Temperature($^{\circ}$ C)	-55~+150
Lead Length(mm)*	6

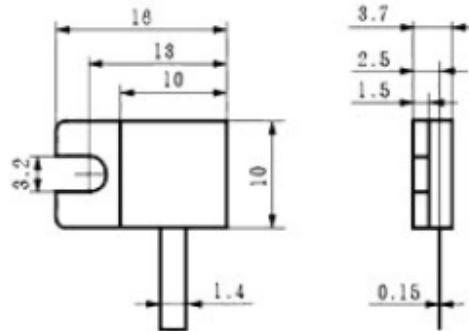
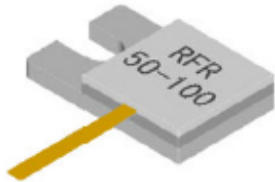
* Customization is available.



P/N	TFB50-100TLM
Power(W)	100
Substrate	BeO
Resistance(Ω)*	50 \pm 5%
Frequency(GHz)*	DC-3
VSWR	1.15:1 max
Operation Temperature($^{\circ}$ C)	-55~+150
Lead Length(mm)*	6

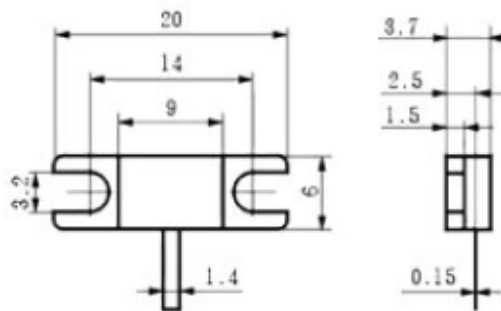
* Customization is available.

Termination – Flange (TFB series)



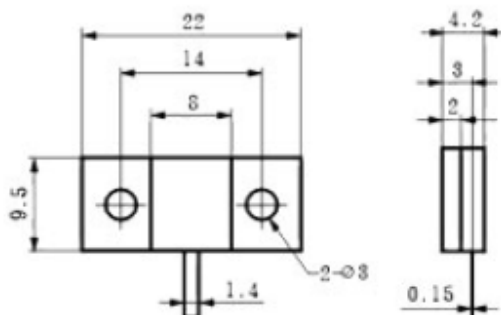
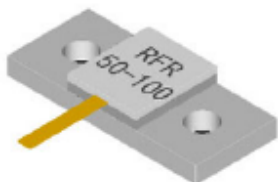
P/N	TFB50-100TRM
Power(W)	100
Substrate	BeO
Resistance(Ω)*	50 \pm 5%
Frequency(GHz)*	DC-3
VSWR	1.15:1 max
Operation Temperature($^{\circ}$ C)	-55~+150
Lead Length(mm)*	6

* Customization is available.



P/N	TFB50-100THA
Power(W)	100
Substrate	BeO
Resistance(Ω)*	50 \pm 5%
Frequency(GHz)*	DC-3
VSWR	1.20:1 max
Operation Temperature($^{\circ}$ C)	-55~+150
Lead Length(mm)*	6

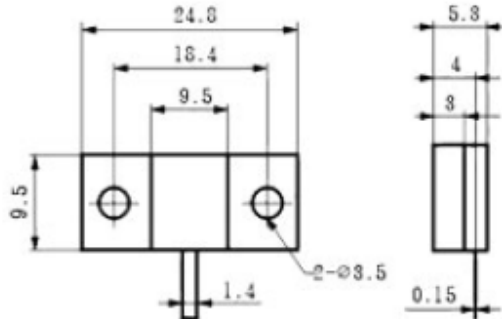
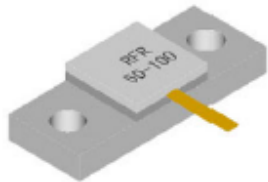
* Customization is available.



P/N	TFB50-100TBZ
Power(W)	100
Substrate	BeO
Resistance(Ω)*	50 \pm 5%
Frequency(GHz)*	DC-3
VSWR	1.20:1 max
Operation Temperature($^{\circ}$ C)	-55~+150
Lead Length(mm)*	6

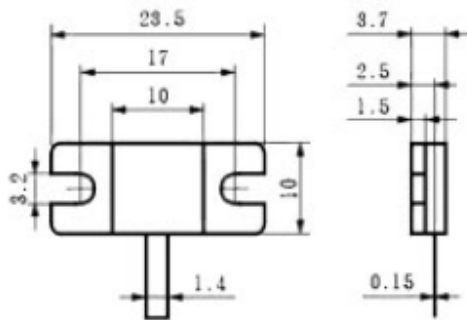
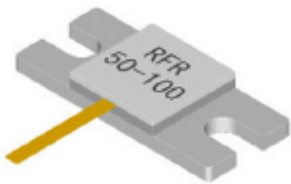
* Customization is available.

Termination – Flange (TFB series)



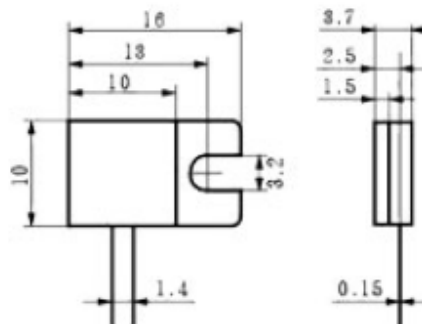
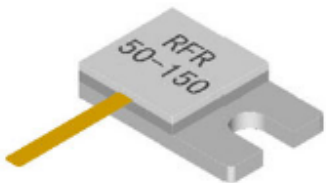
P/N	TFB50-100TBAH
Power(W)	100
Substrate	BeO
Resistance(Ω)*	50 \pm 5%
Frequency(GHz)*	DC-3
VSWR	1.20:1 max
Operation Temperature($^{\circ}$ C)	-55~+150
Lead Length(mm)*	6

* Customization is available.



P/N	TFB50-100THE
Power(W)	100
Substrate	BeO
Resistance(Ω)*	50 \pm 5%
Frequency(GHz)*	DC-3
VSWR	1.15:1 max
Operation Temperature($^{\circ}$ C)	-55~+150
Lead Length(mm)*	6

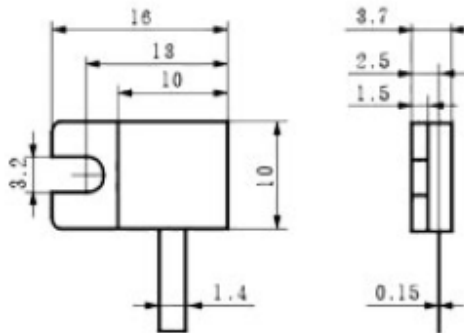
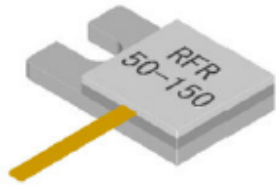
* Customization is available.



P/N	TFB50-150TLM
Power(W)	150
Substrate	BeO
Resistance(Ω)*	50 \pm 5%
Frequency(GHz)*	DC-3
VSWR	1.15:1 max
Operation Temperature($^{\circ}$ C)	-55~+150
Lead Length(mm)*	6

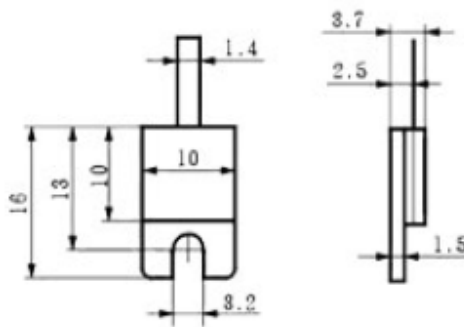
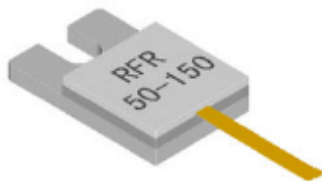
* Customization is available.

Termination – Flange (TFB series)



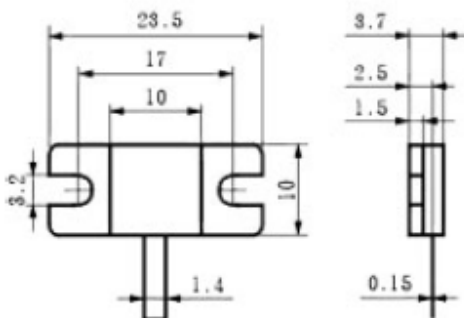
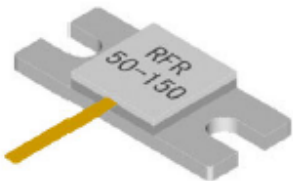
P/N	TFB50-150TRM
Power(W)	150
Substrate	BeO
Resistance(Ω)*	50 \pm 5%
Frequency(GHz)*	DC-3
VSWR	1.15:1 max
Operation Temperature($^{\circ}$ C)	-55~+150
Lead Length(mm)*	6

* Customization is available.



P/N	TFB50-150TIM
Power(W)	150
Substrate	BeO
Resistance(Ω)*	50 \pm 5%
Frequency(GHz)*	DC-3
VSWR	1.15:1 max
Operation Temperature($^{\circ}$ C)	-55~+150
Lead Length(mm)*	6

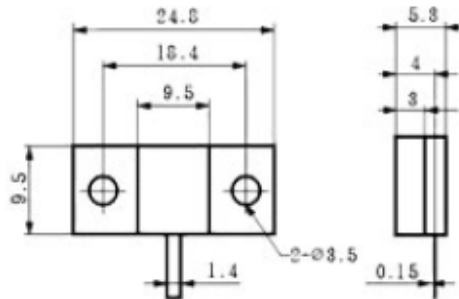
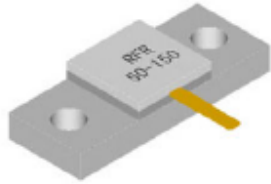
* Customization is available.



P/N	TFB50-150THE
Power(W)	150
Substrate	BeO
Resistance(Ω)*	50 \pm 5%
Frequency(GHz)*	DC-3
VSWR	1.15:1 max
Operation Temperature($^{\circ}$ C)	-55~+150
Lead Length(mm)*	6

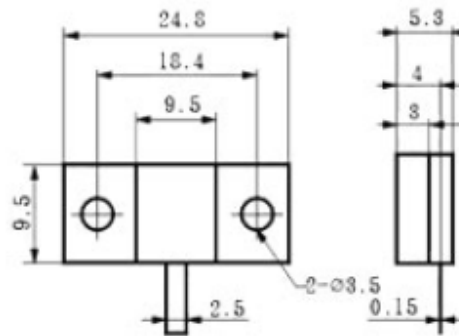
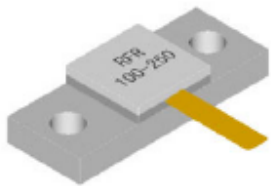
* Customization is available.

Termination – Flange (TFB series)



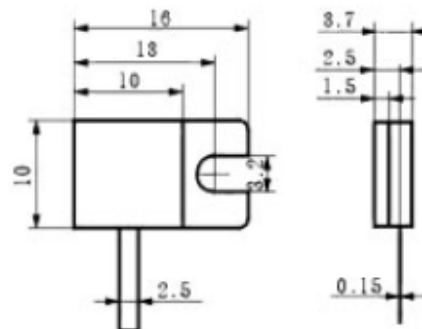
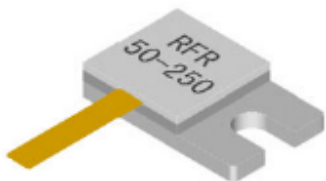
P/N	TFB50-150TBAH
Power(W)	150
Substrate	BeO
Resistance(Ω)*	50 \pm 5%
Frequency(GHz)*	DC-3
VSWR	1.20:1 max
Operation Temperature($^{\circ}$ C)	-55~+150
Lead Length(mm)*	6

* Customization is available.



P/N	TFB50-250TBAH
Power(W)	250
Substrate	BeO
Resistance(Ω)*	50 \pm 5%
Frequency(GHz)*	DC-3
VSWR	1.20:1 max
Operation Temperature($^{\circ}$ C)	-55~+150
Lead Length(mm)*	6

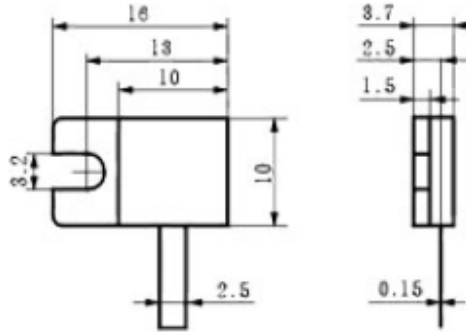
* Customization is available.



P/N	TFB50-250TLM
Power(W)	250
Substrate	BeO
Resistance(Ω)*	50 \pm 5%
Frequency(GHz)*	DC-3
VSWR	1.15:1 max
Operation Temperature($^{\circ}$ C)	-55~+150
Lead Length(mm)*	6

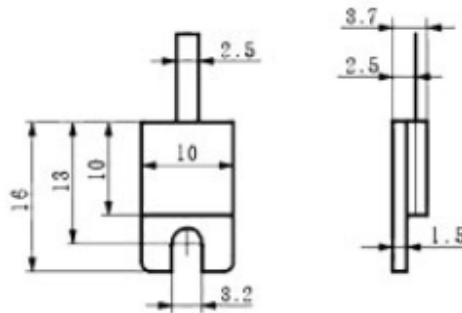
* Customization is available.

Termination – Flange (TFB series)



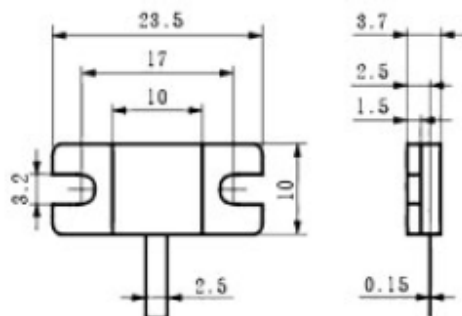
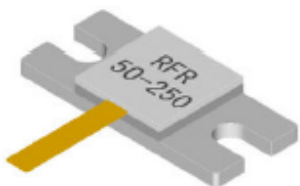
P/N	TFB50-250TRM
Power(W)	250
Substrate	BeO
Resistance(Ω)*	50 \pm 5%
Frequency(GHz)*	DC-3
VSWR	1.15:1 max
Operation Temperature($^{\circ}$ C)	-55~+150
Lead Length(mm)*	6

* Customization is available.



P/N	TFB50-250TIM
Power(W)	250
Substrate	BeO
Resistance(Ω)*	50 \pm 5%
Frequency(GHz)*	DC-3
VSWR	1.15:1 max
Operation Temperature($^{\circ}$ C)	-55~+150
Lead Length(mm)*	6

* Customization is available.



P/N	TFB50-250THE
Power(W)	250
Substrate	BeO
Resistance(Ω)*	50 \pm 5%
Frequency(GHz)*	DC-3
VSWR	1.15:1 max
Operation Temperature($^{\circ}$ C)	-55~+150
Lead Length(mm)*	6

* Customization is available.