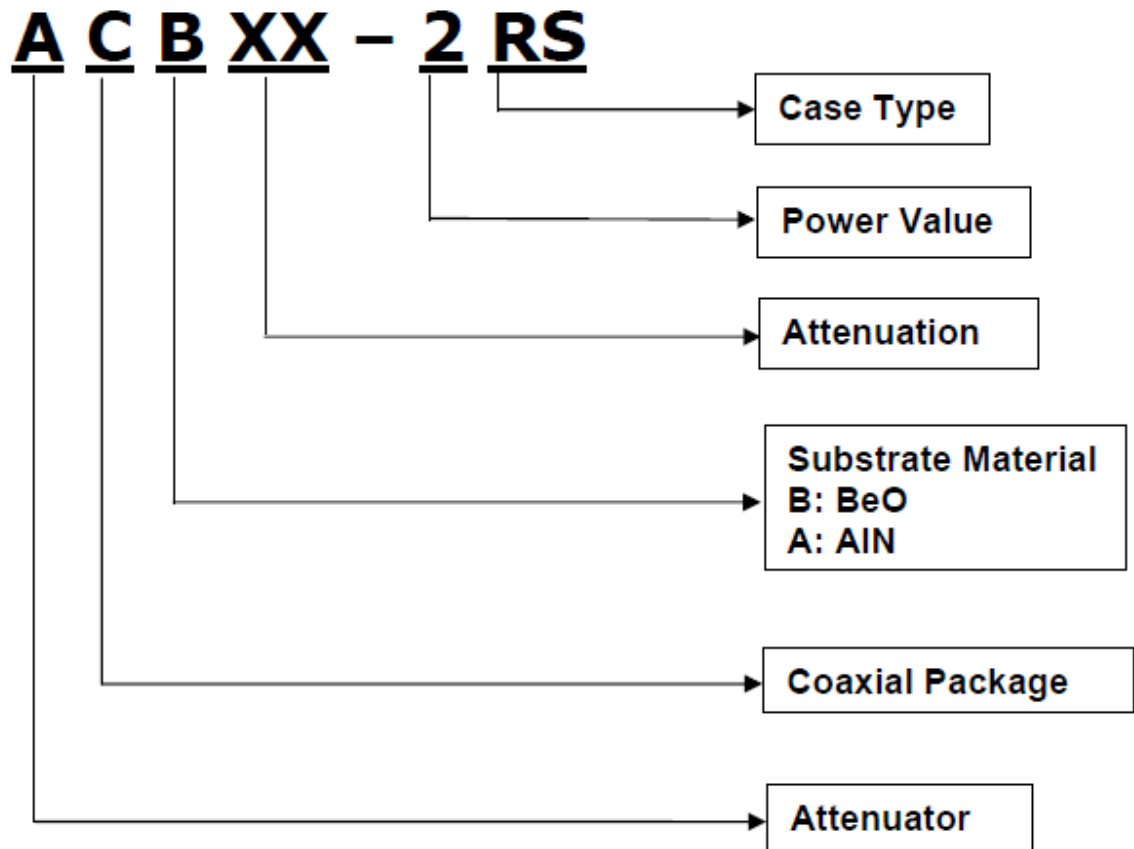




- ◆ Resistance: 50Ω
- ◆ Power: 0.5-500W
- ◆ Attenuation*: 1-30dB
- ◆ Attenuation Accuracy: 1-10dB ±0.6dB
11-20dB ±0.8dB
21-30dB ±1.0dB
- ◆ Frequency Range*: DC-6GHz
- ◆ Operation Temperature: -55 ~ +85°C
- ◆ RoHS Compliant
- ◆ *Customization is available

Attenuator – Coaxial (ACB series)

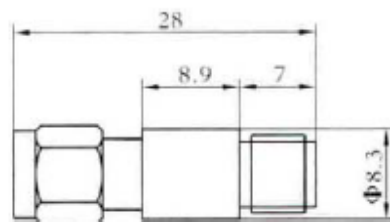
Explanation to P/N



Attenuator – Coaxial (ACB series)

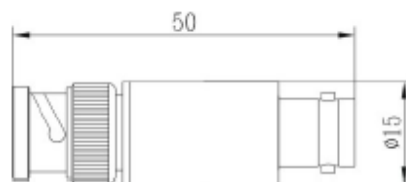
P/N	Power (W)	Frequency (GHz)	Attenuation (dB)	Resistance (Ω)	VSWR max	Connector
ACBXX-0.5RS	0.5	DC-6	1-30	50	1.25:1	SMA-M/SMA-F
ACBXX-2RB	2	DC-6	1-30	50	1.25:1	BNC-M/BNC-F
ACBXX-2RN	2	DC-6	1-30	50	1.25:1	N-M/N-F
ACBXX-2RS	2	DC-6	1-30	50	1.25:1	SMA-M/SMA-F
ACBXX-2RSB	2	DC-6	1-30	50	1.25:1	SMA-M/SMA-F
ACBXX-5RN	5	DC-6	1-30	50	1.25:1	N-M/N-F
ACBXX-5RS	5	DC-6	1-30	50	1.25:1	SMA-M/SMA-F
ACBXX-10RN	10	DC-6	1-30	50	1.25:1	N-M/N-F
ACBXX-10SN	10	DC-6	1-30	50	1.25:1	N-M/N-F
ACBXX-10SS	10	DC-6	1-30	50	1.25:1	SMA-M/SMA-F
ACBXX-20RN	20	DC-6	1-30	50	1.35:1	N-M/N-F
ACBXX-20SN	20	DC-6	1-30	50	1.35:1	N-M/N-F
ACBXX-30RN	30	DC-6	1-30	50	1.35:1	N-M/N-F
ACBXX-30SN	30	DC-6	1-30	50	1.35:1	N-M/N-F
ACBXX-50RN	50	DC-6	1-30	50	1.35:1	N-M/N-F
ACBXX-50SN	50	DC-6	1-30	50	1.35:1	N-M/N-F
ACBXX-80RN	80	DC-6	1-30	50	1.35:1	N-M/N-F
ACBXX-80SN	80	DC-6	1-30	50	1.35:1	N-M/N-F
ACBXX-100RN	100	DC-6	1-30	50	1.35:1	N-M/N-F
ACBXX-100SN	100	DC-6	1-30	50	1.35:1	N-M/N-F
ACBXX-150SN	150	DC-6	1-30	50	1.35:1	N-M/N-F
ACBXX-200SN	200	DC-3	1-30	50	1.20:1	N-M/N-F
ACBXX-300SN	300	DC-3	1-30	50	1.20:1	N-M/N-F
ACBXX-500SN	500	DC-3	1-30	50	1.25:1	N-M/N-F

Attenuator – Coaxial (ACB series)



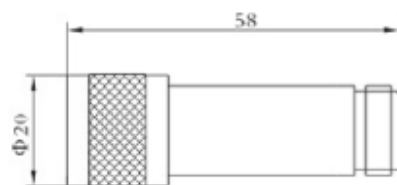
P/N	ACBXX-0.5RS	
Power(W)	0.5	
Attenuation(dB)*	1-30	
Accuracy(dB)	1-10dB	±0.6
	11-20dB	±0.8
	21-30dB	±1.0
Frequency(GHz)*	DC-6	
Resistance(Ω)	50	
VSWR	DC-3GHz	1.20:1 max
	DC-6GHz	1.25:1 max
Connector*	SMA-M/SMA-F	
Operation Temperature(°C)	-55~+85	
Size(mm)*	Φ 8.3×28	
Weight(KG)	0.007	

* Customization is available.



P/N	ACBXX-2RB	
Power(W)	2	
Attenuation(dB)*	1-30	
Accuracy(dB)	1-10dB	±0.6
	11-20dB	±0.8
	21-30dB	±1.0
Frequency(GHz)*	DC-6	
Resistance(Ω)	50	
VSWR	DC-3GHz	1.20:1 max
	DC-6GHz	1.25:1 max
Connector*	BNC-M/BNC-F	
Operation Temperature(°C)	-55~+85	
Size(mm)*	Φ 15×50	
Weight(KG)	0.03	

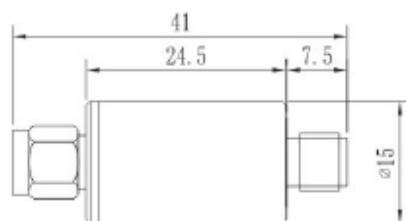
* Customization is available.



P/N	ACBXX-2RN	
Power(W)	2	
Attenuation(dB)*	1-30	
Accuracy(dB)	1-10dB	±0.6
	11-20dB	±0.8
	21-30dB	±1.0
Frequency(GHz)*	DC-6	
Resistance(Ω)	50	
VSWR	DC-3GHz	1.15:1 max
	DC-6GHz	1.25:1 max
Connector*	N-M/N-F	
Operation Temperature(°C)	-55~+85	
Size(mm)*	Φ 20×58	
Weight(KG)	0.056	

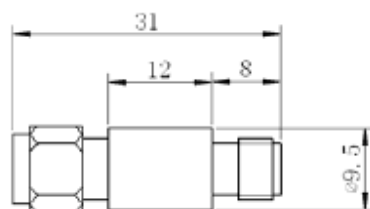
* Customization is available.

Attenuator – Coaxial (ACB series)



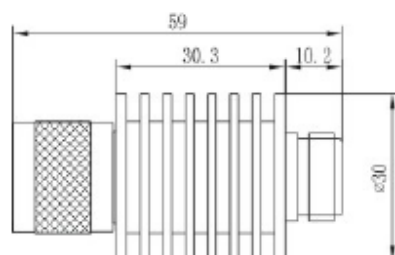
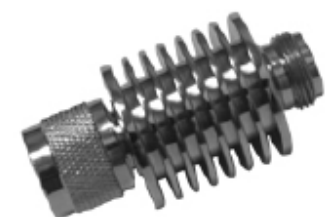
P/N		ACBXX-2RS
Power(W)		2
Attenuation(dB)*		1-30
Accuracy(dB)	1-10dB	±0.6
	11-20dB	±0.8
	21-30dB	±1.0
Frequency(GHz)*		DC-6
Resistance(Ω)		50
VSWR	DC-3GHz	1.15:1 max
	DC-6GHz	1.25:1 max
Connector*		SMA-M/SMA-F
Operation Temperature(°C)		-55~+85
Size(mm)*		Φ 15×41
Weight(KG)		0.023

* Customization is available.



P/N		ACBXX-2RSB
Power(W)		2
Attenuation(dB)*		1-30
Accuracy(dB)	1-10dB	±0.6
	11-20dB	±0.8
	21-30dB	±1.0
Frequency(GHz)*		DC-6
Resistance(Ω)		50
VSWR	DC-3GHz	1.15:1 max
	DC-6GHz	1.25:1 max
Connector*		SMA-M/ SMA-F
Operation Temperature(°C)		-55~+85
Size(mm)*		Φ 9.5×31
Weight(KG)		0.01

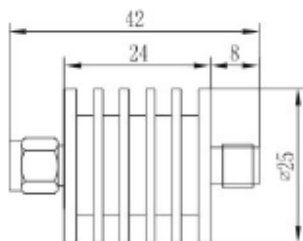
* Customization is available.



P/N		ACBXX-5RN
Power(W)		5
Attenuation(dB)*		1-30
Accuracy(dB)	1-10dB	±0.6
	11-20dB	±0.8
	21-30dB	±1.0
Frequency(GHz)*		DC-6
Resistance(Ω)		50
VSWR	DC-3GHz	1.20:1 max
	DC-6GHz	1.25:1 max
Connector*		N-M/N-F
Operation Temperature(°C)		-55~+85
Size(mm)*		Φ 30×59
Weight(KG)		0.135

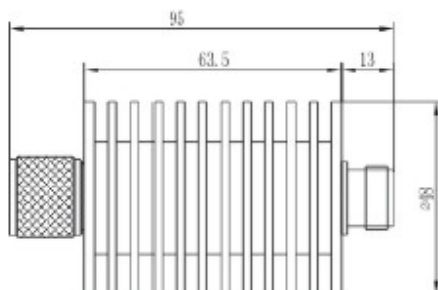
* Customization is available.

Attenuator – Coaxial (ACB series)



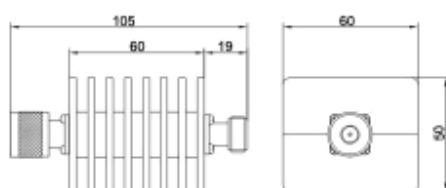
P/N	ACBXX-5RS	
Power(W)	5	
Attenuation(dB)*	1-30	
Accuracy(dB)	1-10dB	±0.6
	11-20dB	±0.8
	21-30dB	±1.0
Frequency(GHz)*	DC-6	
Resistance(Ω)	50	
VSWR	DC-3GHz	1.20:1 max
	DC-6GHz	1.25:1 max
Connector*	SMA-M/SMA-F	
Operation Temperature(°C)	-55~+85	
Size(mm)*	Φ 25×42	
Weight(KG)	0.056	

* Customization is available.



P/N	ACBXX-10RN	
Power(W)	10	
Attenuation(dB)*	1-30	
Accuracy(dB)	1-10dB	±0.6
	11-20dB	±0.8
	21-30dB	±1.0
Frequency(GHz)*	DC-6	
Resistance(Ω)	50	
VSWR	DC-3GHz	1.20:1 max
	DC-6GHz	1.25:1 max
Connector*	N-M/N-F	
Operation Temperature(°C)	-55~+85	
Size(mm)*	Φ 48×95	
Weight(KG)	0.229	

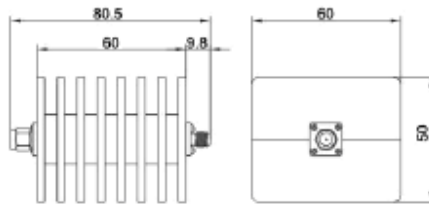
* Customization is available.



P/N	ACBXX-10SN	
Power(W)	10	
Attenuation(dB)*	1-30	
Accuracy(dB)	1-10dB	±0.6
	11-20dB	±0.8
	21-30dB	±1.0
Frequency(GHz)*	DC-6	
Resistance(Ω)	50	
VSWR	DC-3GHz	1.20:1 max
	DC-6GHz	1.25:1 max
Connector*	N-M/N-F	
Operation Temperature(°C)	-55~+85	
Size(mm)*	60×60×50	
Weight(KG)	0.307	

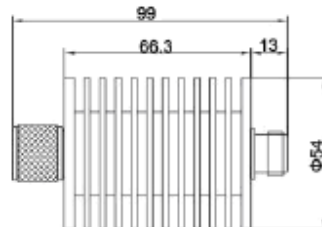
* Customization is available.

Attenuator – Coaxial (ACB series)



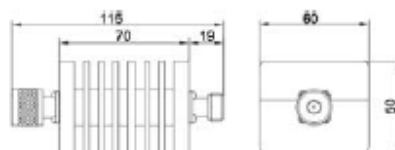
P/N		ACBXX-10SS
Power(W)		10
Attenuation(dB)*		1-30
Accuracy(dB)	1-10dB	±0.6
	11-20dB	±0.8
	21-30dB	±1.0
Frequency(GHz)*		DC-6
Resistance(Ω)		50
VSWR	DC-3GHz	1.20:1 max
	DC-6GHz	1.25:1 max
Connector*		SMA-M/SMA-F
Operation Temperature($^{\circ}$ C)		-55~+85
Size(mm)*		60×60×50
Weight(KG)		0.263

* Customization is available.



P/N		ACBXX-20RN
Power(W)		20
Attenuation(dB)*		1-30
Accuracy(dB)	1-10dB	±0.6
	11-20dB	±0.8
	21-30dB	±1.0
Frequency(GHz)*		DC-6
Resistance(Ω)		50
VSWR	DC-3GHz	1.20:1 max
	DC-6GHz	1.35:1 max
Connector*		N-M/N-F
Operation Temperature($^{\circ}$ C)		-55~+85
Size(mm)*		Φ 54×99
Weight(KG)		0.3

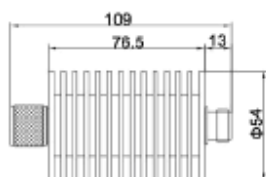
* Customization is available.



P/N		ACBXX-20SN
Power(W)		20
Attenuation(dB)*		1-30
Accuracy(dB)	1-10dB	±0.6
	11-20dB	±0.8
	21-30dB	±1.0
Frequency(GHz)*		DC-6
Resistance(Ω)		50
VSWR	DC-3GHz	1.20:1 max
	DC-6GHz	1.35:1 max
Connector*		N-M/N-F
Operation Temperature($^{\circ}$ C)		-55~+85
Size(mm)*		70×60×50
Weight(KG)		0.385

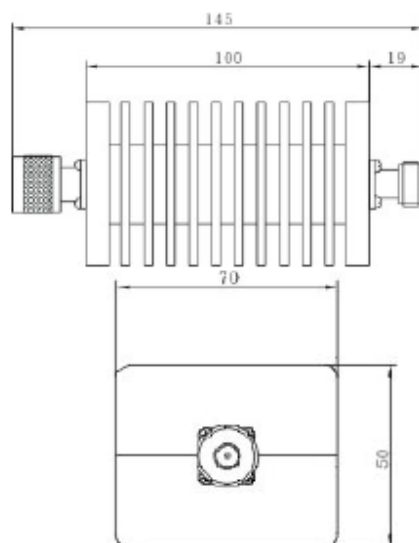
* Customization is available.

Attenuator – Coaxial (ACB series)



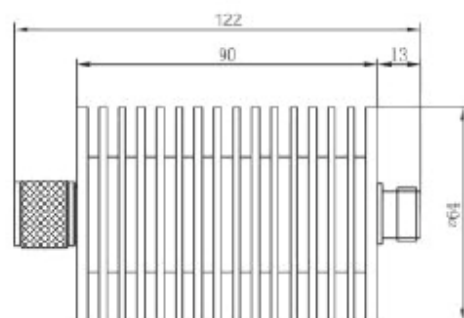
P/N		ACBXX-30RN
Power(W)		30
Attenuation(dB)*		1-30
Accuracy(dB)	1-10dB	±0.6
	11-20dB	±0.8
	21-30dB	±1.0
Frequency(GHz)*		DC-6
Resistance(Ω)		50
VSWR	DC-3GHz	1.20:1 max
	DC-6GHz	1.35:1 max
Connector*		N-M/N-F
Operation Temperature(°C)		-55~+85
Size(mm)*		Φ 54×109
Weight(KG)		0.58

* Customization is available.



P/N		ACBXX-30SN
Power(W)		30
Attenuation(dB)*		1-30
Accuracy(dB)	1-10dB	±0.6
	11-20dB	±0.8
	21-30dB	±1.0
Frequency(GHz)*		DC-6
Resistance(Ω)		50
VSWR	DC-3GHz	1.20:1 max
	DC-6GHz	1.35:1 max
Connector*		N-M/N-F
Operation Temperature(°C)		-55~+85
Size(mm)*		100×70×50
Weight(KG)		0.63

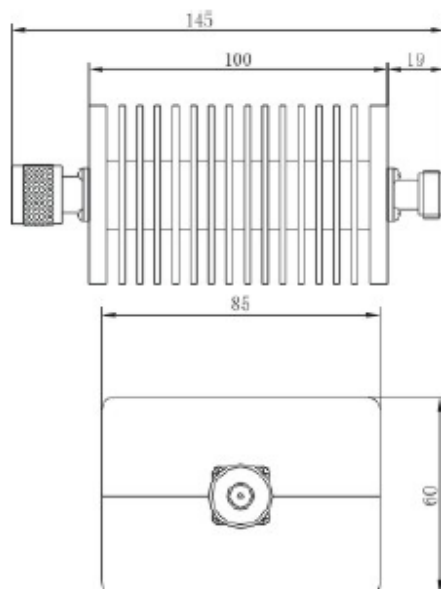
* Customization is available.



P/N		ACBXX-50RN
Power(W)		50
Attenuation(dB)*		1-30
Accuracy(dB)	1-10dB	±0.6
	11-20dB	±0.8
	21-30dB	±1.0
Frequency(GHz)*		DC-6
Resistance(Ω)		50
VSWR	DC-3GHz	1.20:1 max
	DC-6GHz	1.35:1 max
Connector*		N-M/N-F
Operation Temperature(°C)		-55~+85
Size(mm)*		Φ 64×122
Weight(KG)		0.5

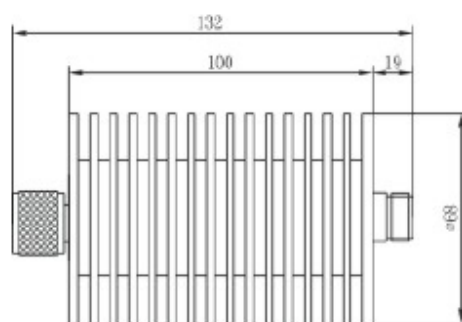
* Customization is available.

Attenuator – Coaxial (ACB series)



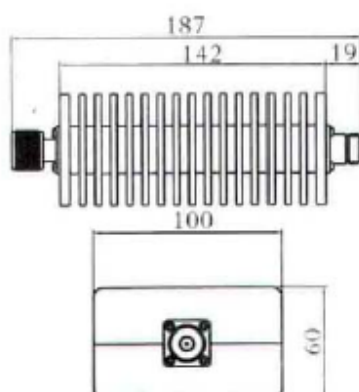
P/N	ACBXX-50SN	
Power(W)	50	
Attenuation(dB)*	1-30	
Accuracy(dB)	1-10dB	±0.6
	11-20dB	±0.8
	21-30dB	±1.0
Frequency(GHz)*	DC-6	
Resistance(Ω)	50	
VSWR	DC-3GHz	1.20:1 max
	DC-6GHz	1.35:1 max
Connector*	N-M/N-F	
Operation Temperature(°C)	-55~+85	
Size(mm)*	100×85×60	
Weight(KG)	0.994	

* Customization is available.



P/N	ACBXX-80RN	
Power(W)	80	
Attenuation(dB)*	1-30	
Accuracy(dB)	1-10dB	±0.6
	11-20dB	±0.8
	21-30dB	±1.0
Frequency(GHz)*	DC-6	
Resistance(Ω)	50	
VSWR	DC-3GHz	1.20:1 max
	DC-6GHz	1.35:1 max
Connector*	N-M/N-F	
Operation Temperature(°C)	-55~+85	
Size(mm)*	Φ 68×132	
Weight(KG)	0.535	

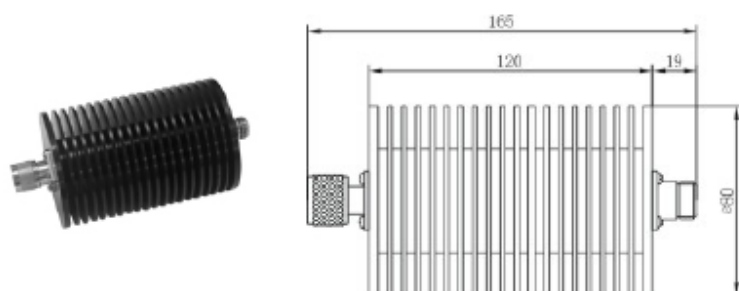
* Customization is available.



P/N	ACBXX-80SN	
Power(W)	80	
Attenuation(dB)*	1-30	
Accuracy(dB)	1-10dB	±0.6
	11-20dB	±0.8
	21-30dB	±1.0
Frequency(GHz)*	DC-6	
Resistance(Ω)	50	
VSWR	DC-3GHz	1.20:1 max
	DC-6GHz	1.35:1 max
Connector*	N-M/N-F	
Operation Temperature(°C)	-55~+85	
Size(mm)*	142×100×60	
Weight(KG)	1.355	

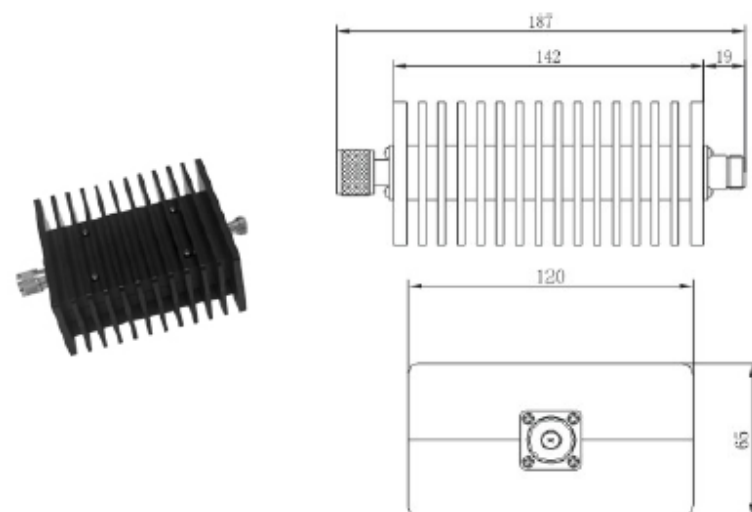
* Customization is available.

Attenuator – Coaxial (ACB series)



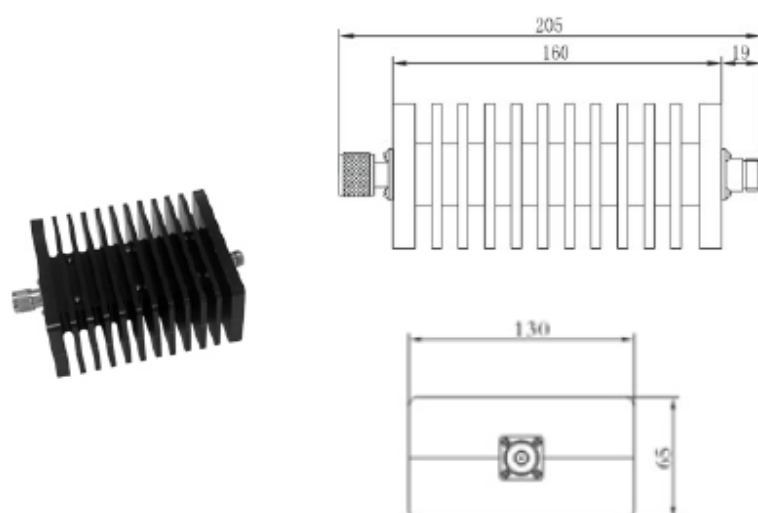
P/N		ACBXX-100RN
Power(W)		100
Attenuation(dB)*		1-30
Accuracy(dB)	1-10dB	±0.6
	11-20dB	±0.8
	21-30dB	±1.0
Frequency(GHz)*		DC-6
Resistance(Ω)		50
VSWR	DC-3GHz	1.20:1 max
	DC-6GHz	1.35:1 max
Connector*		N-M/N-F
Operation Temperature(°C)		-55~+85
Size(mm)*		Φ 80×165
Weight(KG)		0.84

* Customization is available.



P/N		ACBXX-100SN
Power(W)		100
Attenuation(dB)*		1-30
Accuracy(dB)	1-10dB	±0.6
	11-20dB	±0.8
	21-30dB	±1.0
Frequency(GHz)*		DC-6
Resistance(Ω)		50
VSWR	DC-3GHz	1.20:1 max
	DC-6GHz	1.35:1 max
Connector*		N-M/N-F
Operation Temperature(°C)		-55~+85
Size(mm)*		142×120×65
Weight(KG)		2.1

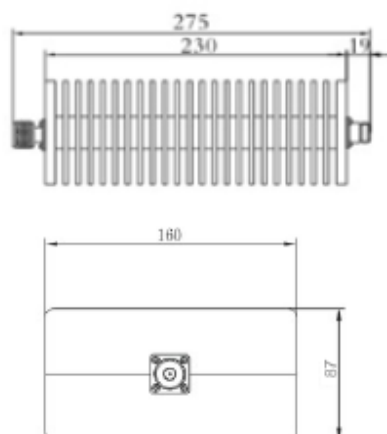
* Customization is available.



P/N		ACBXX-150SN
Power(W)		150
Attenuation(dB)*		1-30
Accuracy(dB)	1-10dB	±0.6
	11-20dB	±0.8
	21-30dB	±1.0
Frequency(GHz)*		DC-6
Resistance(Ω)		50
VSWR	DC-3GHz	1.20:1 max
	DC-6GHz	1.35:1 max
Connector*		N-M/N-F
Operation Temperature(°C)		-55~+85
Size(mm)*		160×130×65
Weight(KG)		2.1

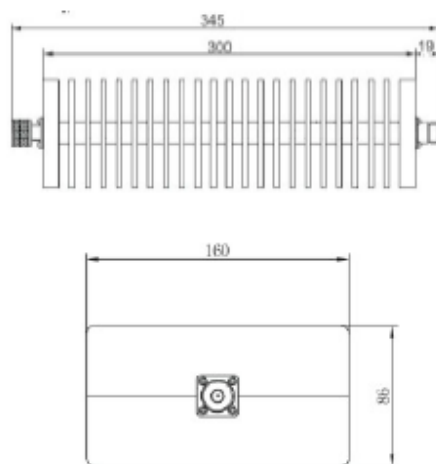
* Customization is available.

Attenuator – Coaxial (ACB series)



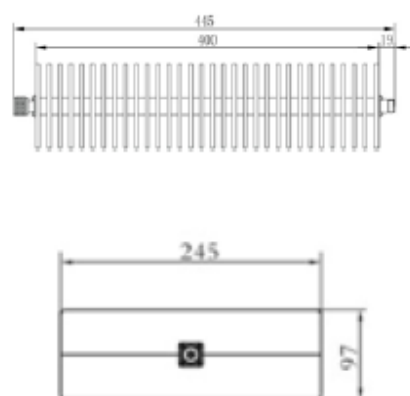
P/N		ACBXX-200SN
Power(W)		200
Attenuation(dB)*		1-30
Accuracy(dB)	1-10dB	±0.6
	11-20dB	±0.8
	21-30dB	±1.0
Frequency(GHz)*		DC-3
Resistance(Ω)		50
VSWR		1.20:1 max
Connector*		N-M/N-F
Operation Temperature(°C)		-55~+85
Size(mm)*		230×160×87
Weight(KG)		4.2

* Customization is available.



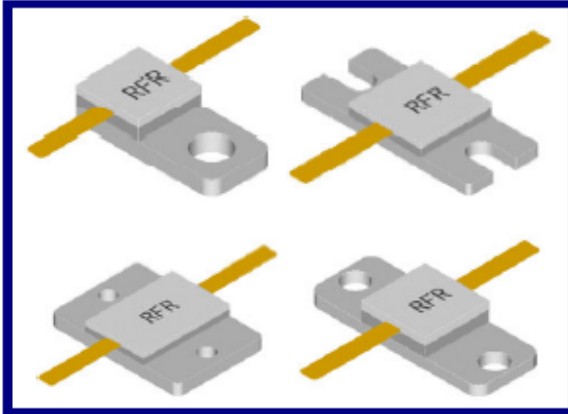
P/N		ACBXX-300SN
Power(W)		300
Attenuation(dB)*		1-30
Accuracy(dB)	1-10dB	±0.6
	11-20dB	±0.8
	21-30dB	±1.0
Frequency(GHz)*		DC-3
Resistance(Ω)		50
VSWR		1.20:1 max
Connector*		N-M/N-F
Operation Temperature(°C)		-55~+85
Size(mm)*		300×160×86
Weight(KG)		5.1

* Customization is available.



P/N		ACBXX-500SN
Power(W)		500
Attenuation(dB)*		1-30
Accuracy(dB)	1-10dB	±0.6
	11-20dB	±0.8
	21-30dB	±1.0
Frequency(GHz)*		DC-3
Resistance(Ω)		50
VSWR		1.25:1 max
Connector*		N-M/N-F
Operation Temperature(°C)		-55~+85
Size(mm)*		400×245×97
Weight(KG)		7.5

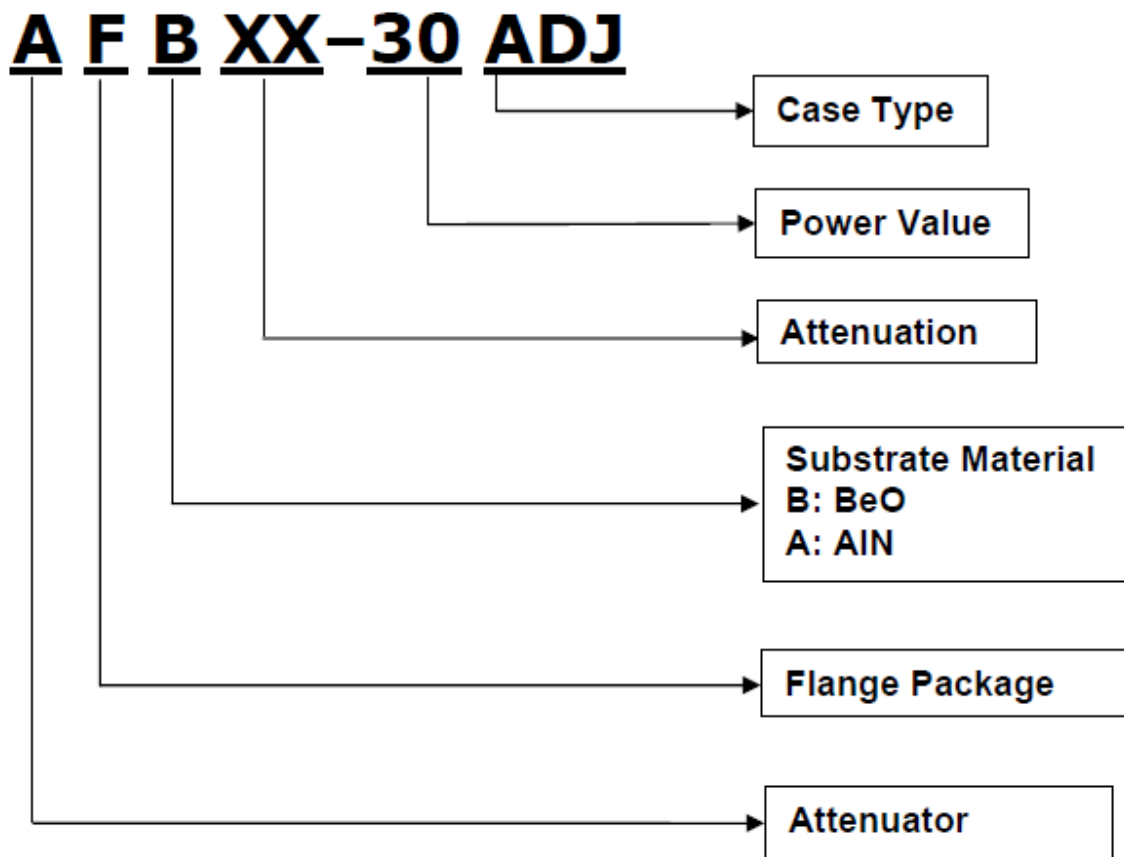
* Customization is available.



- ◆ Resistance: 50Ω
- ◆ Power: 30-100W
- ◆ Substrate Material: BeO, AlN
- ◆ Attenuation*: 1-30dB
- ◆ Attenuation Accuracy: 1-10dB ±0.6dB
11-20dB ±0.8dB
21-30dB ±1.0dB
- ◆ Frequency Range*: DC-4GHz
- ◆ Operation Temperature: -55 ~ +150°C
- ◆ RoHS Compliant
- ◆ *Customization is available

Attenuator – Flange (AFB series)

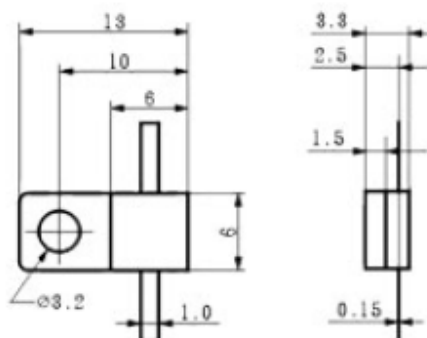
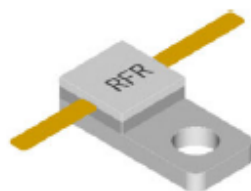
Explanation to P/N



Attenuator – Flange (AFB series)

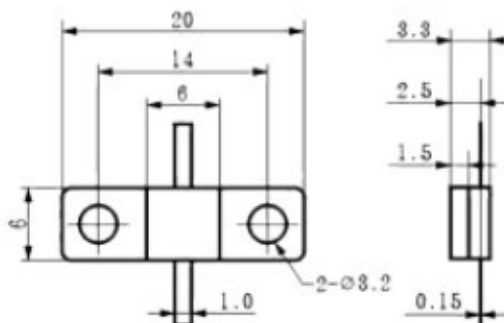
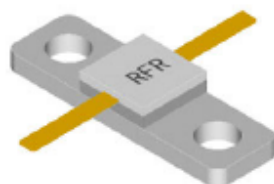
P/N	Power (W)	Frequency (GHz)	Substrate	Attenuation (dB)	Resistance (Ω)	VSWR max
AFBXX-30ADJ	30	DC-3	BeO	1-30	50	1.20:1
AFBXX-30ABR	30	DC-3	BeO	1-30	50	1.20:1
AFBXX-30ABP	30	DC-3	BeO	1-30	50	1.20:1
AFBXX-50ABO	50	DC-3	BeO	1-30	50	1.20:1
AFBXX-50ABR	50	DC-3	BeO	1-30	50	1.20:1
AFBXX-60ADM	60	DC-3	BeO	1-30	50	1.20:1
AFBXX-60AHE	60	DC-3	BeO	1-30	50	1.20:1
AFBXX-100ABAD	100	DC-3	BeO	1-30	50	1.20:1

Attenuator – Flange (AFB series)



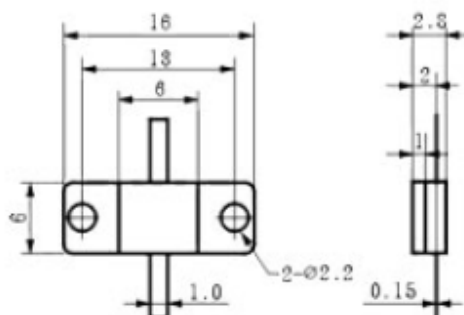
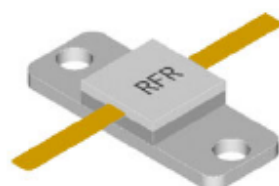
P/N		AFBXX-30ADJ
Power(W)		30
Substrate		BeO
Attenuation(dB) *		1-30
Accuracy(dB)	1-10dB	±0.6
	11-20dB	±0.8
	21-30dB	±1.0
Frequency(GHz)*		DC-3
Resistance(Ω)		50
VSWR		1.20:1 max
Operation Temperature(°C)		-55~+150
Lead Length(mm)*		6

* Customization is available.



P/N		AFBXX-30ABR
Power(W)		30
Substrate		BeO
Attenuation(dB) *		1-30
Accuracy(dB)	1-10dB	±0.6
	11-20dB	±0.8
	21-30dB	±1.0
Frequency(GHz)*		DC-3
Resistance(Ω)		50
VSWR		1.20:1 max
Operation Temperature(°C)		-55~+150
Lead Length(mm)*		6

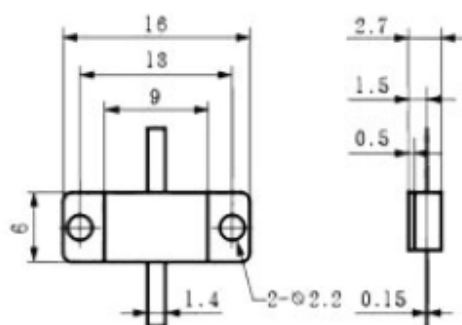
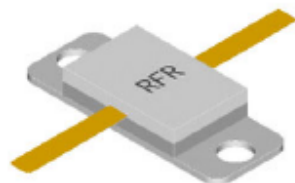
* Customization is available.



P/N		AFBXX-30ABP
Power(W)		30
Substrate		BeO
Attenuation(dB) *		1-30
Accuracy(dB)	1-10dB	±0.6
	11-20dB	±0.8
	21-30dB	±1.0
Frequency(GHz)*		DC-3
Resistance(Ω)		50
VSWR		1.20:1 max
Operation Temperature(°C)		-55~+150
Lead Length(mm)*		6

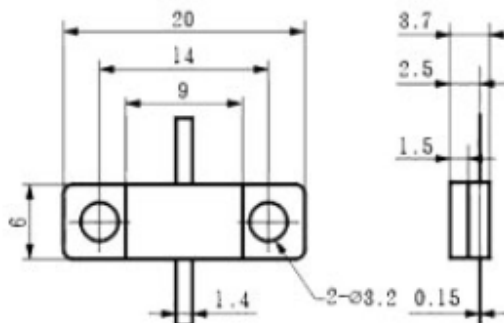
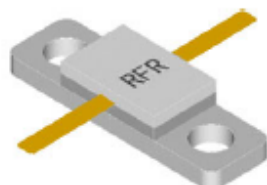
* Customization is available.

Attenuator – Flange (AFB series)



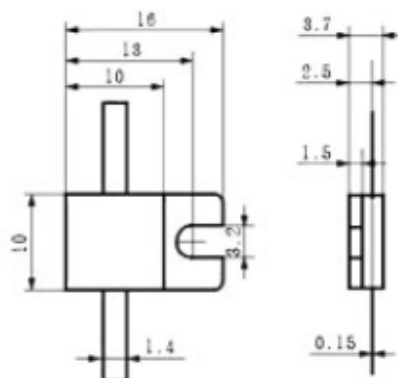
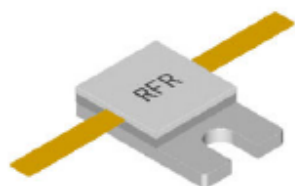
P/N		AFBXX-50ABO
Power(W)		50
Substrate		BeO
Attenuation(dB) *		1-30
Accuracy(dB)	1-10dB	±0.6
	11-20dB	±0.8
	21-30dB	±1.0
Frequency(GHz)*		DC-3
Resistance(Ω)		50
VSWR		1.20:1 max
Operation Temperature(°C)		-55~+150
Lead Length(mm)*		6

* Customization is available.



P/N		AFBXX-50ABR
Power(W)		50
Substrate		BeO
Attenuation(dB) *		1-30
Accuracy(dB)	1-10dB	±0.6
	11-20dB	±0.8
	21-30dB	±1.0
Frequency(GHz)*		DC-3
Resistance(Ω)		50
VSWR		1.20:1 max
Operation Temperature(°C)		-55~+150
Lead Length(mm)*		6

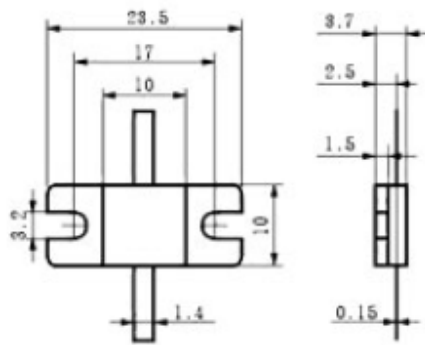
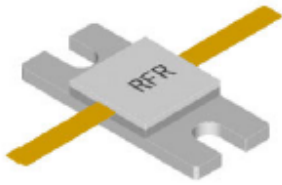
* Customization is available.



P/N		AFBXX-60ADM
Power(W)		60
Substrate		BeO
Attenuation(dB) *		1-30
Accuracy(dB)	1-10dB	±0.6
	11-20dB	±0.8
	21-30dB	±1.0
Frequency(GHz)*		DC-3
Resistance(Ω)		50
VSWR		1.20:1 max
Operation Temperature(°C)		-55~+150
Lead Length(mm)*		6

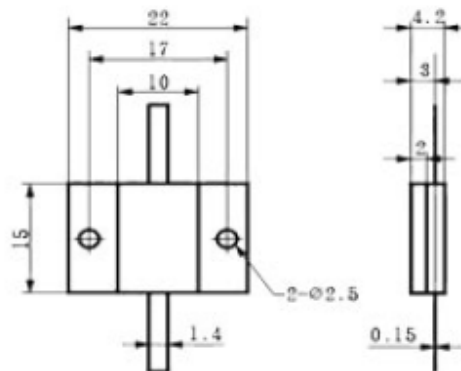
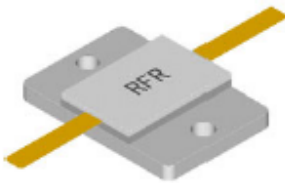
* Customization is available.

Attenuator – Flange (AFB series)



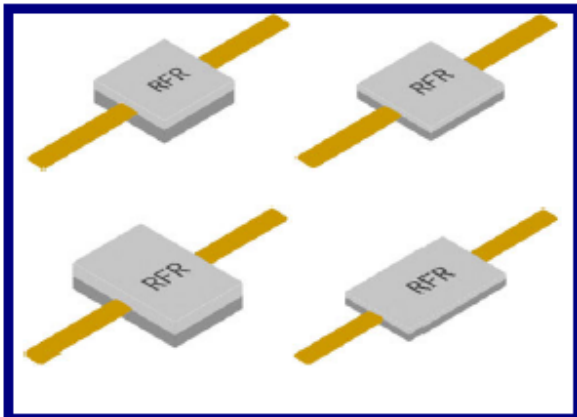
P/N		AFBXX-60AHE
Power (W)		60
Substrate		BeO
Attenuation(dB) *		1-30
Accuracy(dB)	1-10dB	±0.6
	11-20dB	±0.8
	21-30dB	±1.0
Frequency(GHz)*		DC-3
Resistance(Ω)		50
VSWR		1.20:1 max
Operation Temperature(°C)		-55~+150
Lead Length(mm)*		6

* Customization is available.



P/N		AFBXX-100ABAD
Power(W)		100
Substrate		BeO
Attenuation(dB) *		1-30
Accuracy(dB)	1-10dB	±0.6
	11-20dB	±0.8
	21-30dB	±1.0
Frequency(GHz)*		DC-3
Resistance(Ω)		50
VSWR		1.20:1 max
Operation Temperature(°C)		-55~+150
Lead Length(mm)*		6

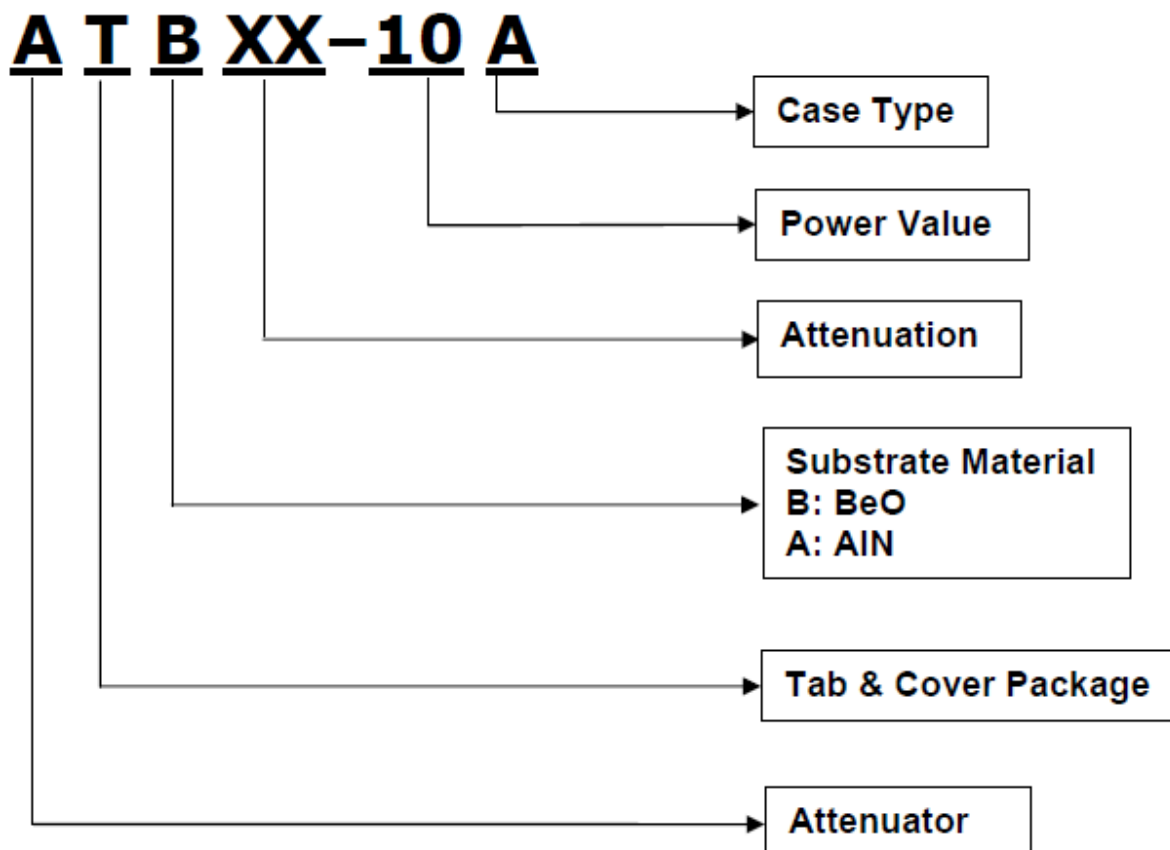
* Customization is available.



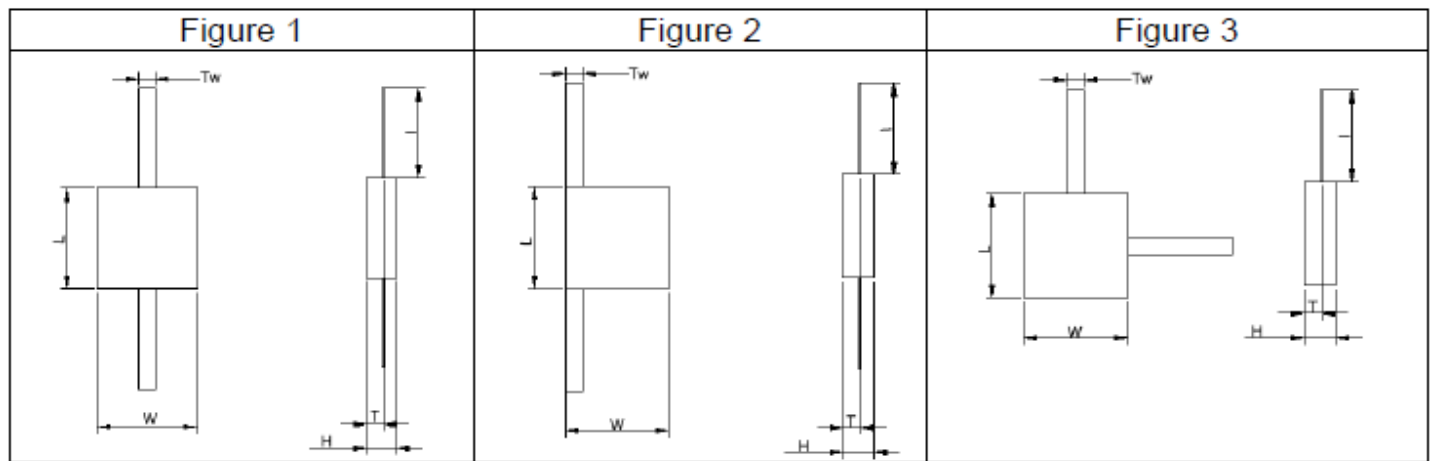
- ◆ Resistance: 50Ω
- ◆ Power: 5-100W
- ◆ Substrate Material: BeO, AlN
- ◆ Attenuation*: 1-30dB
- ◆ Attenuation Accuracy: 1-10dB ±0.6dB
11-20dB ±0.8dB
21-30dB ±1.0dB
- ◆ Frequency Range*: DC-4GHz
- ◆ Operation Temperature: -55 ~ +150°C
- ◆ RoHS Compliant
- ◆ *Customization is available

Attenuator – Tab & Cover (ATB series)

Explanation to P/N



Attenuator – Tab & Cover (ATB series)



P/N	Power (W)	Frequency (GHz)	VSWR max	Size(mm)					
				W	L	T	H	I	Tw
ATBXX-5A	5	DC-4	1.2	2.5	5	1	2.2	4	1
ATBXX-10A	10	DC-3	1.2	2.5	5	1	2.2	4	1
ATBXX-20A	20	DC-4	1.2	4	4	1	2.2	4	1
ATBXX-20B	20	DC-4	1.2	4	4	1	2.2	4	1
ATBXX-20AA	20	DC-4	1.2	6	6	1	2.2	4	1
ATBXX-20AB	20	DC-4	1.2	6	6	1	2.2	4	1
ATBXX-30A	30	DC-3	1.2	6	6	1	2.2	4	1
ATBXX-30B	30	DC-4	1.2	6	6	1	2.2	4	1
ATBXX-40A	40	DC-4	1.2	9	6	1	2.2	4	1
ATBXX-60A	60	DC-3	1.2	10	10	1	2.2	6	1
ATBXX-60B	60	DC-3	1.2	10	10	1	2.2	6	1
ATBXX-60AB	60	DC-3	1.2	9	6	1	2.2	4	1
ATBXX-80A	80	DC-2	1.3	10	10	1	2.2	6	1
ATBXX-80B	80	DC-2	1.3	10	10	1	2.2	6	1
ATBXX-80AB	80	DC-3	1.25	9	6	1	2.2	4	1
ATBXX-100A	100	DC-3	1.3	9	6	1	2.2	6	1
ATBXX-100B	100	DC-3	1.35	6	9	1	2.2	6	1
ATBXX-100AB	100	DC-3	1.3	9.5	6.35	1	2.2	6	1