

Series SMP is a push-on and snap-on style connector. The advantages are miniature size, light weight, convenient usages and high frequency range. In its snap-on configuration, the SMP interface is available in two levels of detent each with different mate and de-mate forces. The two levels are full detent and limited detent.

Key performance

Characteristic Impedance : 50Ω
Frequency range : 0~26.5 GHz
Contact resistance :
Center conductor $\leq 6.0m \Omega$
Out conductor $\leq 2.0m \Omega$
Insulation resistance : $\geq 1000M \Omega$
Insulator voltage withstanding : 500V
VSWR : ≤ 1.25
Connector durability : 500 cycles

Application spec/std.: GJB681A/MIL-C-39012)/CECC22340

Applicable sc MIL-C-39012

Material

Center contacts:

Male--brass, gold plated.

Female--beryllium copper, gold plated

Bodies and other metal parts:

brass, gold plated

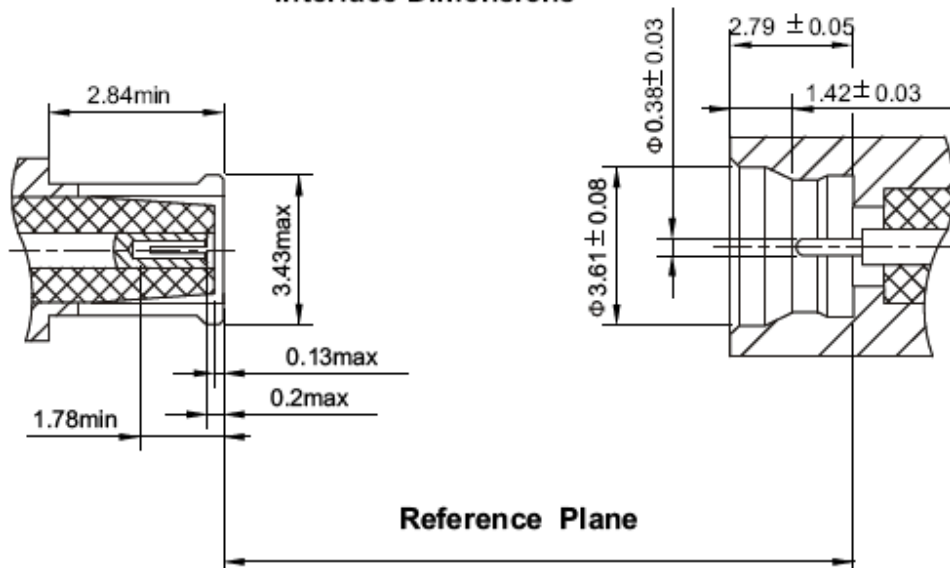
Insulators: Teflon

Crimp ferrule: copper, nickel plated.

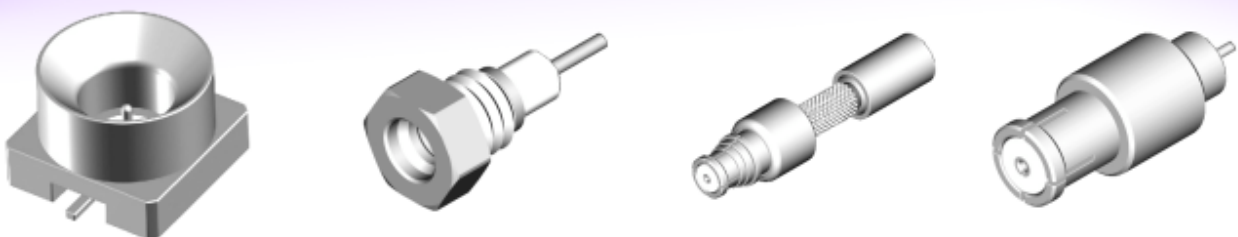
Gasket and seal rings: silicone rubber

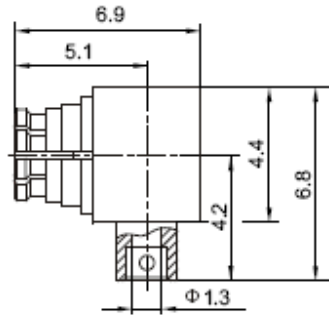
Heat-shrink tubing: thermofit plastic.

Interface Dimensions

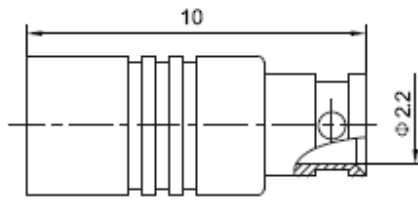


SMP Connectors

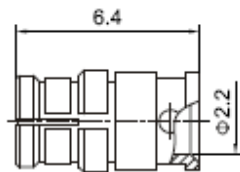




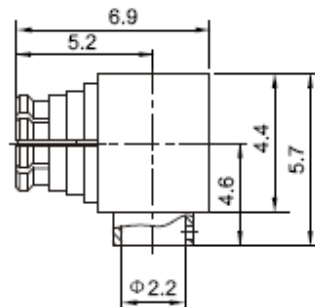
Type	part number	suitable cable	Note
SMP-KWB1	1641-6600	B1	



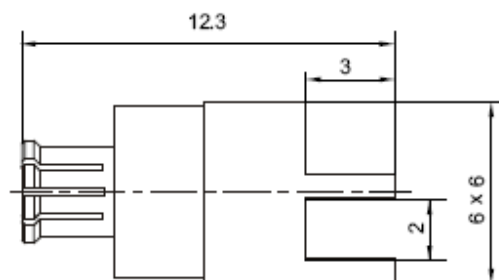
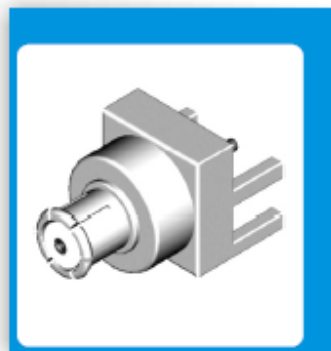
Type	part number	suitable cable	Note
SMP-JB2A	1611-6601	B2	



Type	part number	suitable cable	Note
SMP-KB2	1621-6600	B2	



Type	part number	suitable cable	Note
SMP-KWB2A	1641-6602	B2	



Type	part number	Note
SMP-KHD1	1621-5801	