

Series BNC inversion of jack and plug RF connectors used in some occasions, such as has strictly differentiated input and output entrance and has special used entrance.

### Key performance

Characteristic Impedance : 50  $\Omega$

Frequency range : 0~4GHz

Contact resistance :

Center conductor  $\leq 2.0m \Omega$

Out conductor  $\leq 0.2m \Omega$

Insulation resistance :  $\geq 5000M \Omega$

Insulator voltage withstanding : 1500V

VSWR :  $\leq 1.30$

Connector durability : 500 cycles

Applicable spec/std : MIL-C-39012

### Material

Center contacts:

Male---brass, gold plated.

Female---phosphor bronze, gold plated

Bodies and other metal parts:

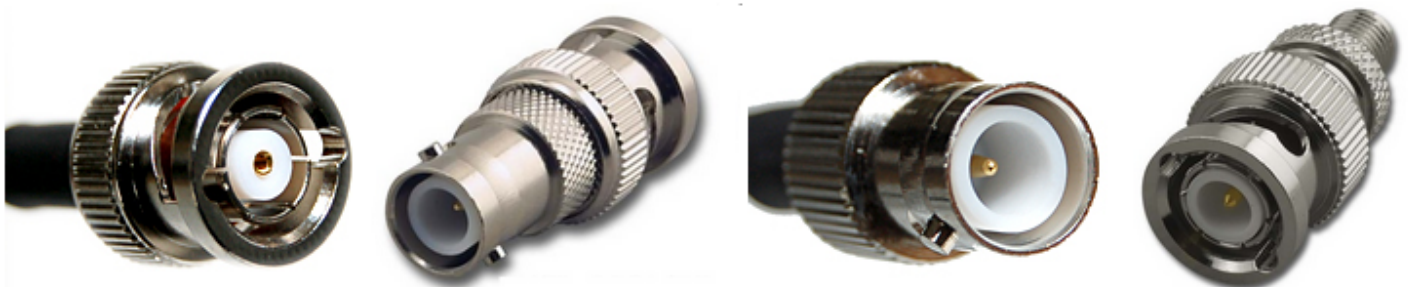
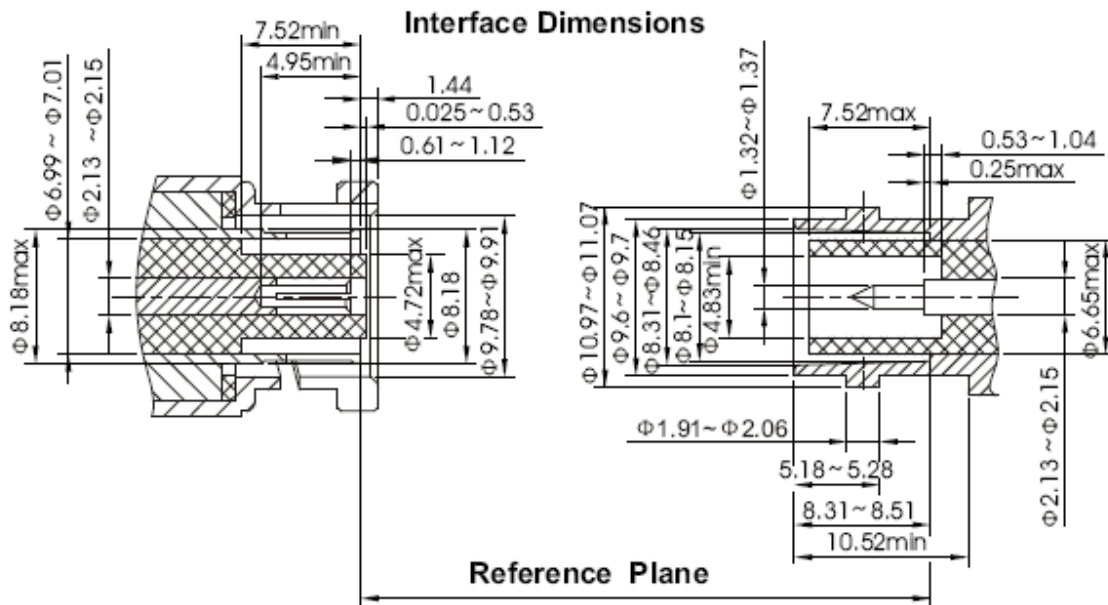
brass, nickel plated

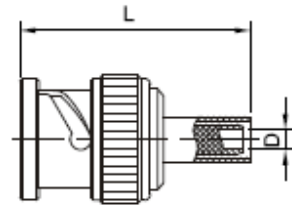
Insulators: Teflon

Crimp ferrule: copper, nickel plated.

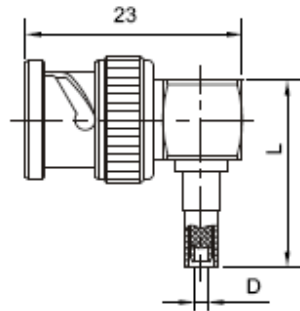
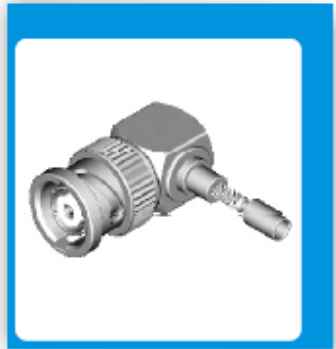
Gasket and seal rings: silicone rubber

Heat-shrink tubing: thermofit plastic.

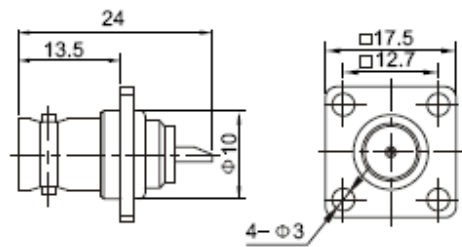
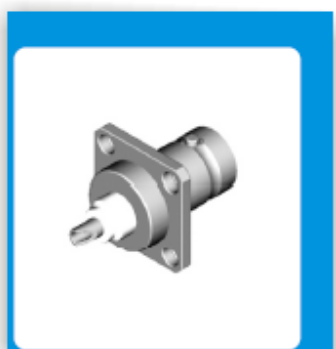




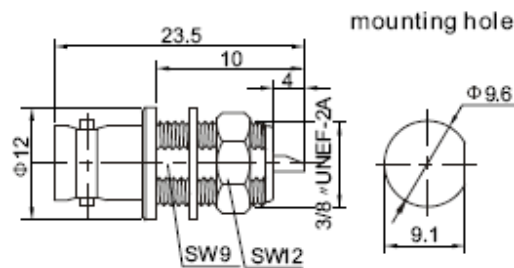
Type	part number	Suitable cable	L	D	Note
BNC-FK3Y	8321-6503	3	27	Φ1.6	
BNC-FK5Y	8321-6504	5	27.8	Φ3.1	



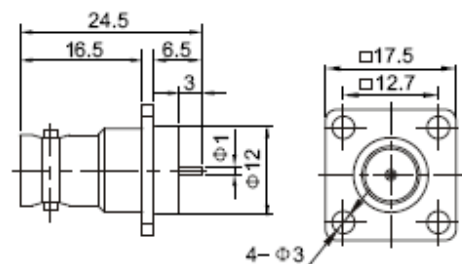
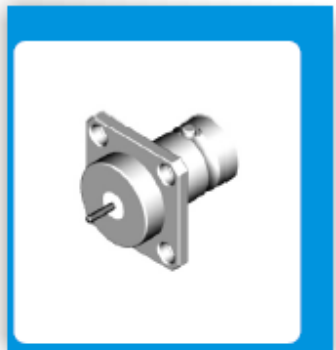
Type	part number	Suitable cable	L	D	Note
BNC-FKW3Y	8341-6503	3	21.1	Φ1.6	
BNC-FKW5Y	8341-6504	5	26	Φ3.1	



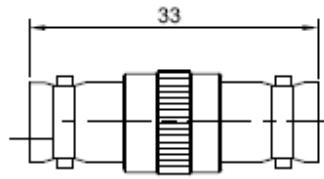
Type	part number	Note
BNC-FJF	8311-1901	



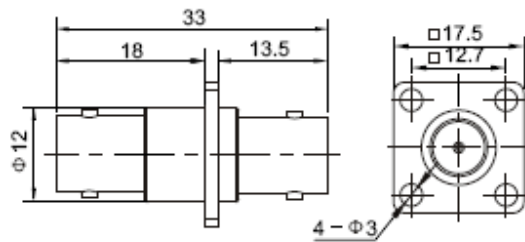
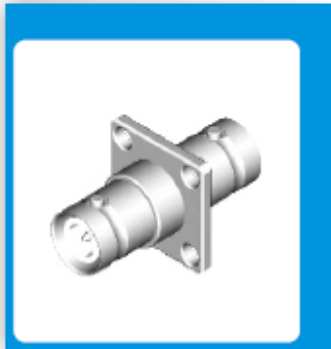
Type	part number	Note
BNC-FJY	8311-2901	



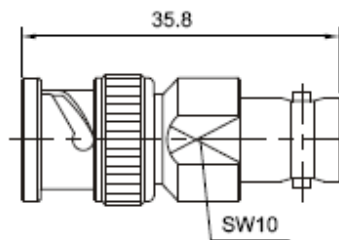
Type	part number	Note
BNC-FJFD	8311-0001	



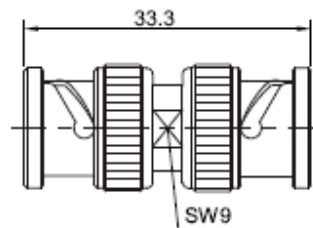
Type	part number	Note
BNC-FJJ	8301-6903	



Type	part number	Note
BNC-FFJJ	8301-1901	



Type	part number	Note
BNC-FJK	8301-6902	



Type	part number	Note
BNC-FKX	8301-6901	