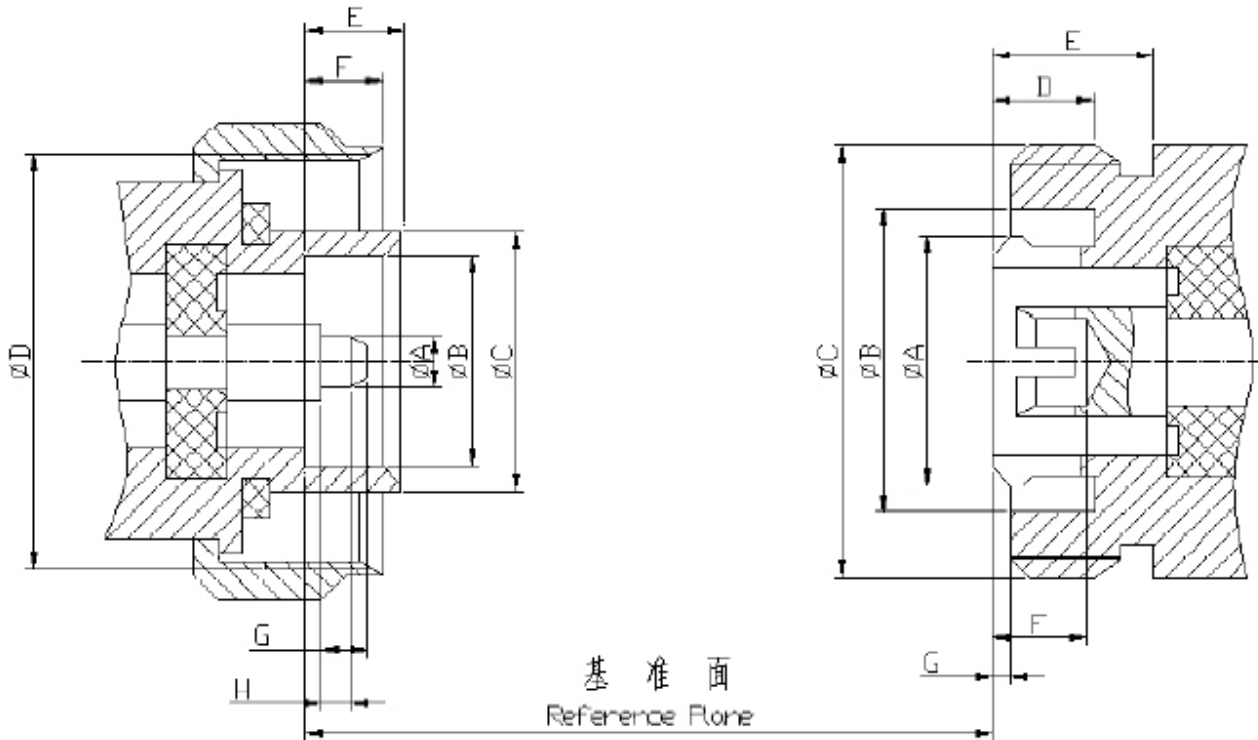


L29 (DIN 7/16) 系列射频同轴连接器是按照 IEC169-4 和 DIN 47223 的相关要求生产的一种螺纹连接式同轴连接器，具有低损耗、传输功率大等特点，且大部分具有防水结构，可用于户外作为中、高功率传输线的连接，广泛用于微波传输和移动通信系统。

The L29 (DIN 7/16) series are screw coupling coaxial connectors, which are manufactured according to the specifications of IEC169-4 and DIN 47223. They have the characteristics of low wastage, big transmission power and so on. And most of them have the waterproof structure. They can be used for outdoor transmission lines' connect of middle and high power, and widely for microwave transmission and mobile communication systems.



界面尺寸 Interface Mating Dimensions



	PLUG (mm)	
	MIN	MAX
A	4.96	5.04
B	18.03	18.21
C	20.6	21.4
D	-	M29×1.5
E	7.0	8.0
F	7.0	9.0
G	-	4.5
H	1.4	1.6

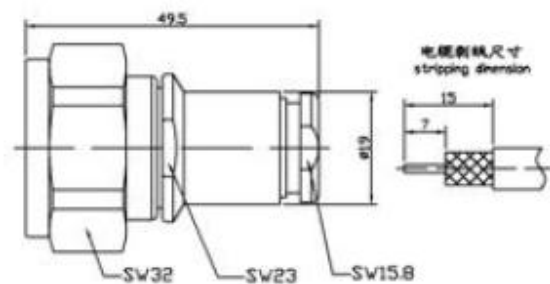
	JACK (mm)	
	MIN	MAX
A	17.84	18.02
B	22.1	22.9
C	-	M29×1.5
D	8.1	-
E	10	-
F	5	-
G	0.5	0.7

主要技术特性 Technical Characteristics:

环境温度范围 Temperature range	-40~+85°C	
电气性能 Electrical Characteristics		
特征阻抗 Characteristic impedance	50Ω	
工作电压 Working voltage	330V max(有效值)	
频率范围 Frequency range	0~7.5GHz	
介质耐压 Dielectric withstanding voltage	海平面 at sea level: 2700V(volts RMS)	
接触电阻 Contact resistance	内导体 center contact	≤1.0mΩ
	外导体 Outer contact	≤0.5mΩ
绝缘电阻 Insulation resistance	≥1000MΩ	
电压驻波比 VSWR	直式 straight	≤1.2
	弯式 right - angle	≤1.3
材料与涂覆 Mechanical Characteristics		
壳体和其它金属零件 Body or other metallic parts	黄铜镀银、镀镍或镀三元合金 Brass, silver, nickel or ternary alloy plated	
插针 Male center contacts:	黄铜镀银或镀金 Brass, silver or gold plated	
插孔 Female center contacts:	锡磷青铜或铍青铜镀银或镀金 Stannum phosphor copper or Beryllium copper, silver or gold plated	
绝缘体 Insulators:	聚四氟乙烯 PTFE	
密封件 Sealing washer	硅橡胶 Silicone rubber	
连接器机械耐久性 Connector durability	500 次 Cycles	



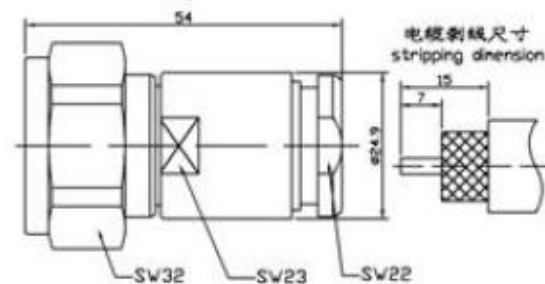
7/16-J5



产品型号	电缆型号	备注
7/16-J5	SFF-50-3-2 RG55/U RG142B/U	
7/16-J7	SYV-50-5-1 RG213/U RG214/U	
7/16-J8	SYV-50-7-2	



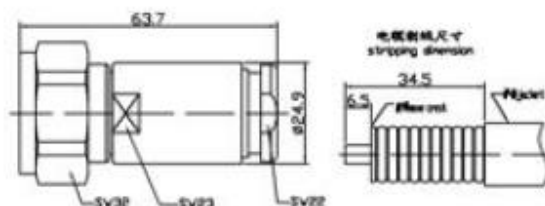
7/16-J9



产品型号	电缆型号	备注
7/16-J9	SYV-50-9 RG119/U K-LMR400-50	



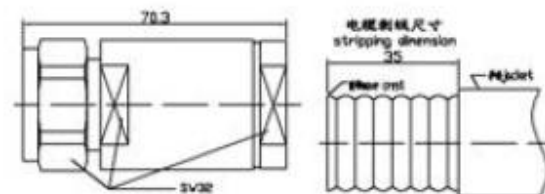
7/16-J1/2



产品型号	电缆型号	备注
7/16-J1/2	SYFY-50-9-3 SDY-50-9-3	



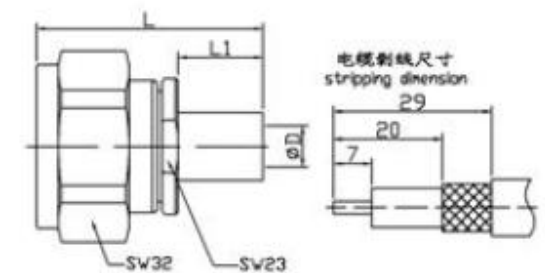
7/16-J7/8



产品型号	电缆型号	备注
7/16-J7/8	7/8" 波纹 (环形) 铜管介质发泡电缆	



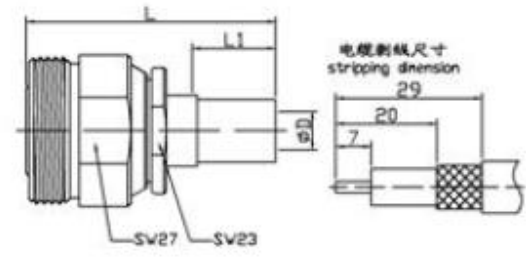
7/16-J5Y



产品型号	电缆型号	L	L1	D
7/16-J5Y	SFF-50-3-2 RG55/U RG142B/U	39.5	13.5	5.5
7/16-J7Y	SYV-50-5-1 RG213/U RG214/U	40.5	14.5	10.6
7/16-J8Y	SYV-50-7-2	41.5	15.5	11.8
7/16-J400Y	SYV-50-9 RG119/U K-LMR400-50	41.0	15.0	10.9



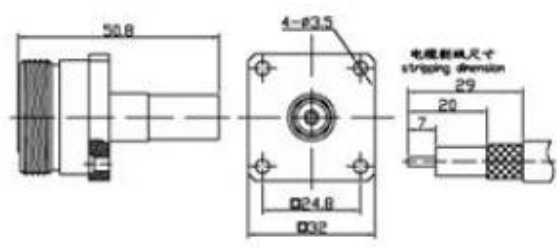
7/16-K5Y



产品型号	电缆型号	L	L1	D
7/16-K5Y	SFF-50-3-2 RG55/U RG142B/U	39.5	13.5	5.5
7/16-K7Y	SYV-50-5-1 RG213/U RG214/U	40.5	14.5	10.6
7/16-K8Y	SYV-50-7-2	41.5	15.5	11.8
7/16-K400Y	SYV-50-9 RG119/U K-LMR400-50	41.0	15.0	10.9



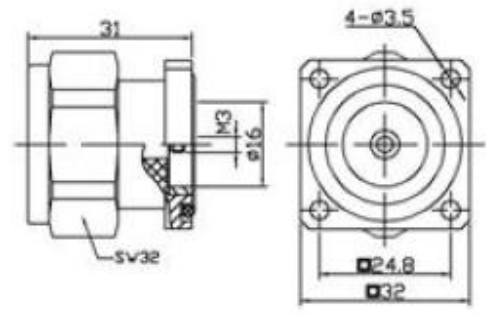
7/16-KF5Y



产品型号	电缆型号	备注
7/16-KF5Y	SFF-50-3-2 RG55/U RG142B/U	
7/16-KF7Y	SYV-50-5-1 RG213/U RG214/U	
7/16-KF8Y	SYV-50-7-2	
7/16-KF400Y	SYV-50-9 RG119/U K-LMR400-50 RG179B/U	



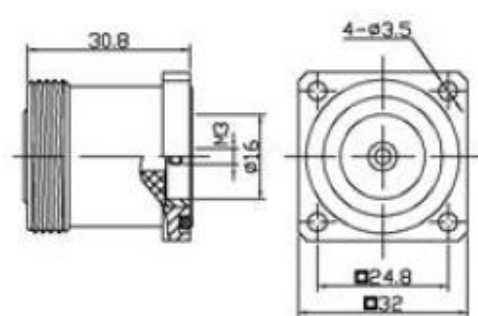
7/16-JFD



产品型号	备注
7/16-JFD	镀三元合金



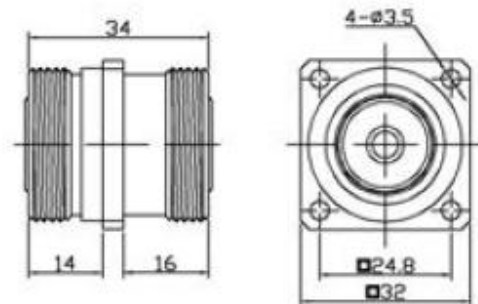
7/16-KFD



产品型号	备注
7/16-KFD	镀三元合金



7/16-KFK



产品型号	备注
7/16-KFK	镀三元合金