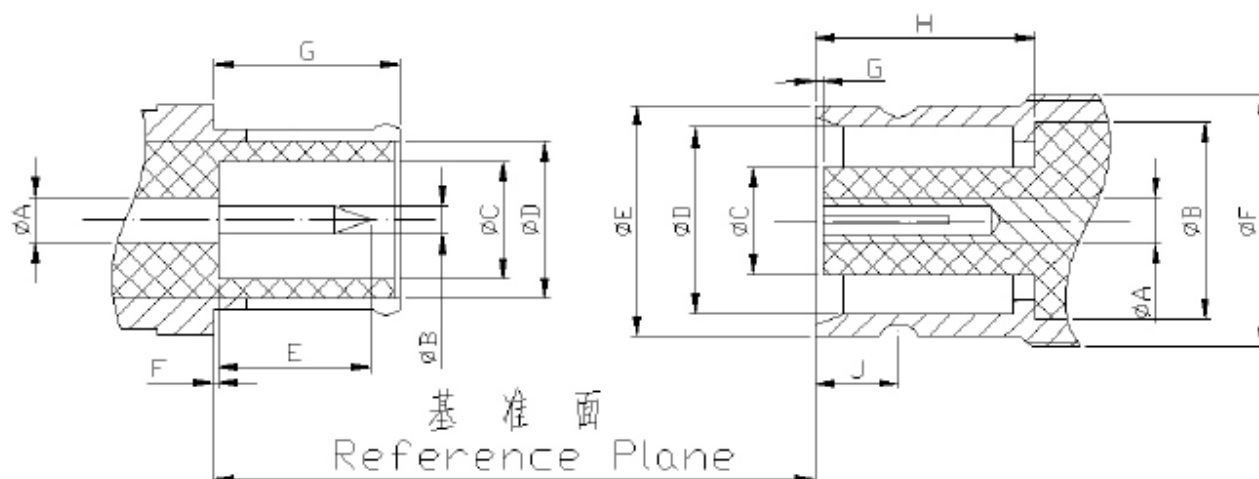


L9 (DIN1.6/5.6) 系列产品是按照 IEC169-13、DIN47295 生产的一种小型螺纹连接的同轴连接器，具有尺寸小、重量轻、机电性能具佳的特点。供通讯设备和无线电仪器的高频回路中连接射频同轴电缆用。

The L9 (DIN1.6/5.6) series are screw coupling miniature coaxial connectors, which are developed and manufactured according to the specifications of IEC169-13, CECC 22240 and DIN 47295. They have the characteristics of small size, high mechanical and electrical stability, and used in many types of communication equipments.



界面尺寸 Interface Mating Dimensions



	PLUG (mm)	
	MIN	MAX
A	-	1.60
B	0.97	1.03
C	4.00	-
D	-	5.60
E	-	5.50
F	-	0.15
G	6.40	6.60

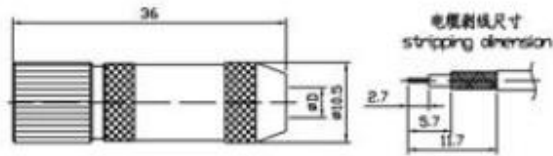
	JACK (mm)	
	MIN	MAX
A	-	1.60
B	-	5.60
C	-	3.80
D	6.60	6.69
E	8.10	8.25
F	-	M9×0.5
G	0.25	-
H	6.70	-
J	2.90	3.10

主要技术特性 Technical Characteristics:

环境温度范围 Temperature range	-40~+85°C	
电气性能 Electrical Characteristics		
特征阻抗 Characteristic impedance	75Ω	
工作电压 Working voltage	330V max(有效值)	
频率范围 Frequency range	0~1GHz	
介质耐压 Dielectric withstanding voltage	海平面 at sea level: 1000V(volts RMS)	
接触电阻 Contact resistance	内导体 center contact	≤10.0mΩ
	外导体 Outer contact	≤5.0mΩ
绝缘电阻 Insulation resistance	≥1000MΩ	
材料与涂覆 Mechanical Characteristics		
壳体和其他金属零件 Body or other metallic parts	黄铜镀金或镀镍 Brass, gold or nickel plated	
插针 Male center contacts:	黄铜镀金 Brass, gold plated	
插孔 Female center contacts:	铍青铜镀金 Beryllium copper, gold plated	
绝缘体 Insulators:	聚四氟乙烯 PTFE	
压接套 Crimp ferrules:	铜合金镀镍或镀金 Copper alloy, nickel or gold plated	
密封件 Sealing washer	硅橡胶 Silicone rubber	
连接器机械耐久性 Connector durability	500 次 Cycles	



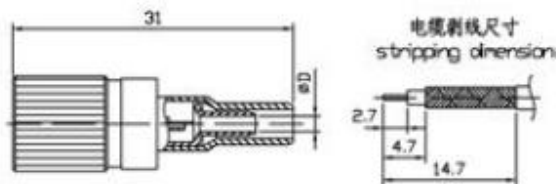
1.6/5.6-75J3



产品型号	电缆型号	D	备注
1.6/5.6-75J2	SFF-75-1	2.6	
1.6/5.6-75J3	SFF-75-1.5-1 SFF-75-1.5-2	3.3	
1.6/5.6-75J4	SFF-75-2 SYV-75-2-1	4.3	
1.6/5.6-75J5	SFF-75-3-1 SYV-75-3	5.3	



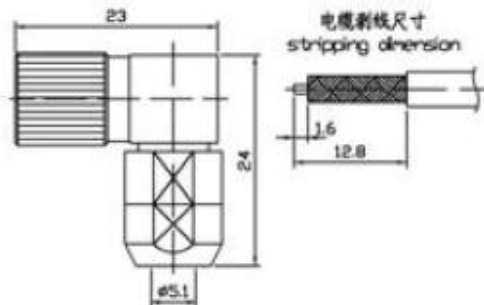
1.6/5.6-75J3Y



产品型号	电缆型号	D	备注
1.6/5.6-75J3Y	SFF-75-1.5-1	1.6	
1.6/5.6-75J12Y	SYV-75-3	3.1	



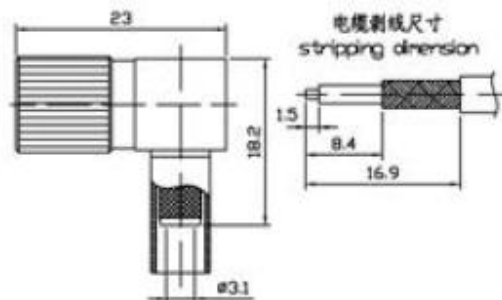
1.6/5.6-75JW12



产品型号	电缆型号	备注
1.6/5.6-75JW12	SYV-75-3	



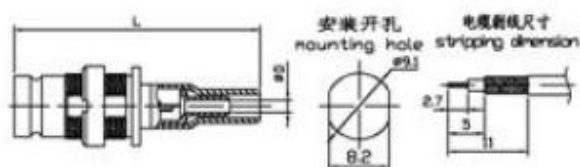
1.6/5.6-75JW12Y



产品型号	电缆型号	备注
1.6/5.6-75JW12Y	SYV-75-3	



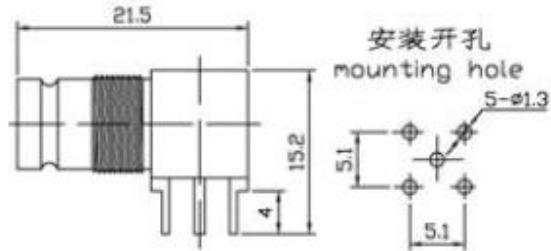
1.6/5.6-75KY3Y



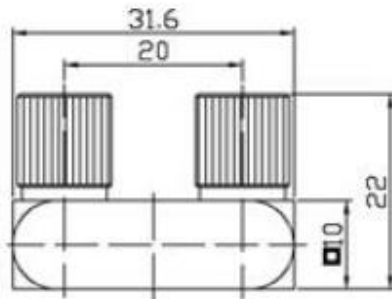
产品型号	电缆型号	L	D	备注
1.6/5.6-75KY3Y	SFF-75-1.5-1 SFF-75-1.5-2	33.8	1.6	
1.6/5.6-75KY4Y	SFF-75-2 SYV-75-2-1	35.3	2.1	
1.6/5.6-75KY5Y	SFF-75-3-1 SYV-75-3	37.3	3.1	



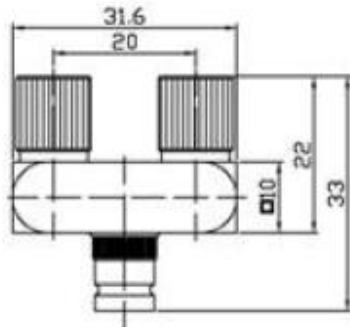
1.6/5.6-75KWHD



1.6/5.6-75JJWW



1.6/5.6-75JKJW



1.6/5.6-75KYK

